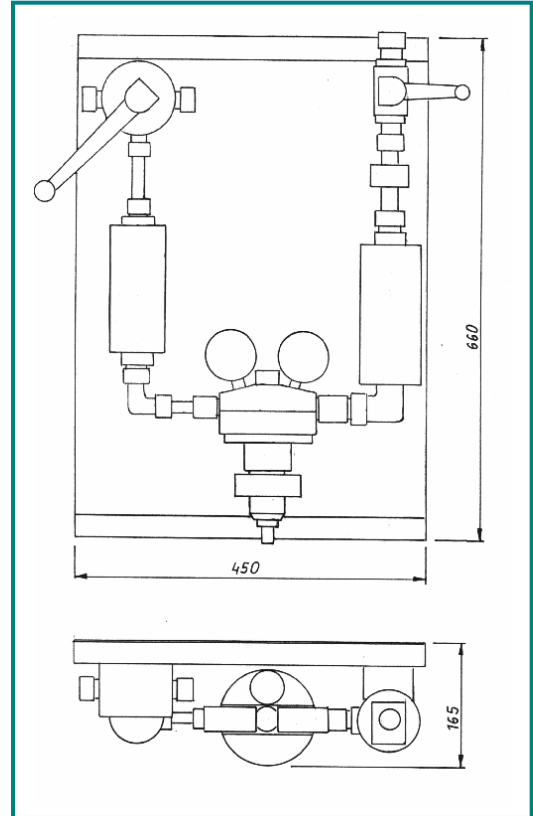
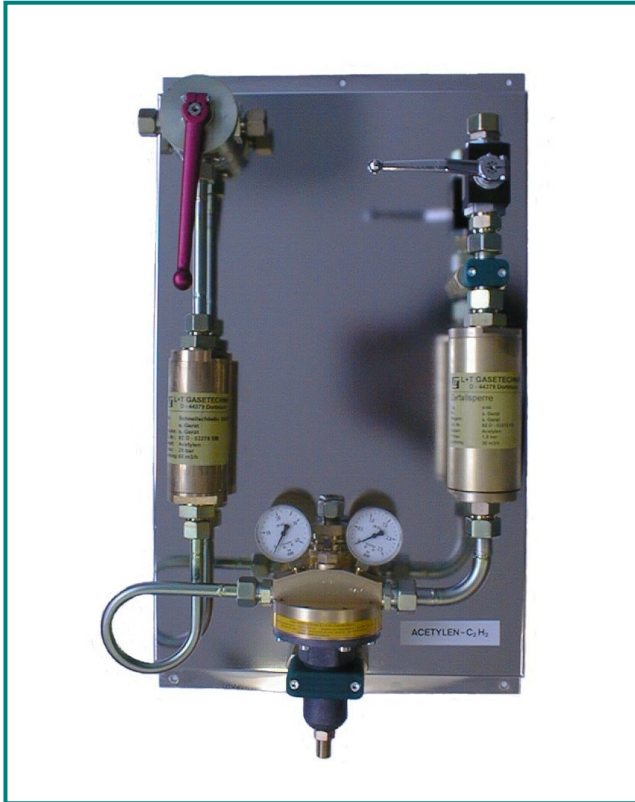
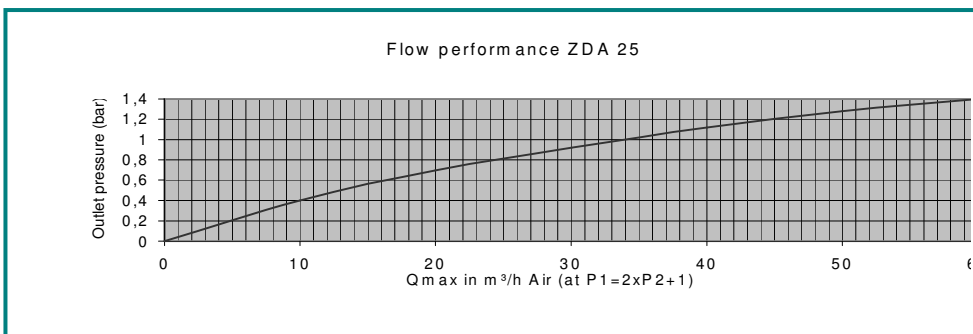


Supply station ZDA 25



Model	Gas	Inlet pressure P1	Outlet pressure P2	Flow Q1	Inlet connection	Outlet connection
ZDA 25 ST	Acetylene	max. 25 bar	max. 1,5 bar	See diagram	DIN 2353 S 16	DIN 2353 L 22



The supply station ZDA 25 is for the interruption free supply of Acetylene with manual switching from cylinder batteries and bundles. For 2x1 cylinder or max. 2x3 bundles
 The supply station ZDA 25 consists of certified components: regulator, safety valve, quick connectors and check valve. Three-way ball valve for changing from empty to full batteries