

Gas supply station ZD 150

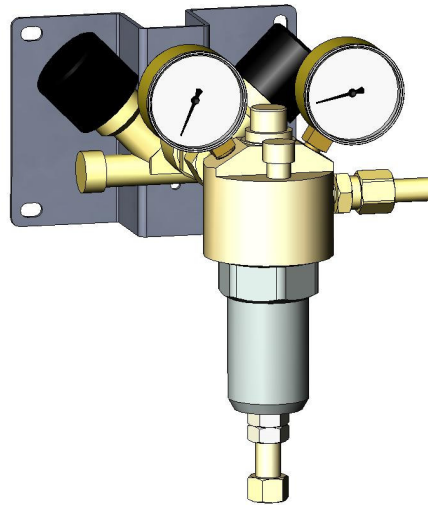


Figure 1

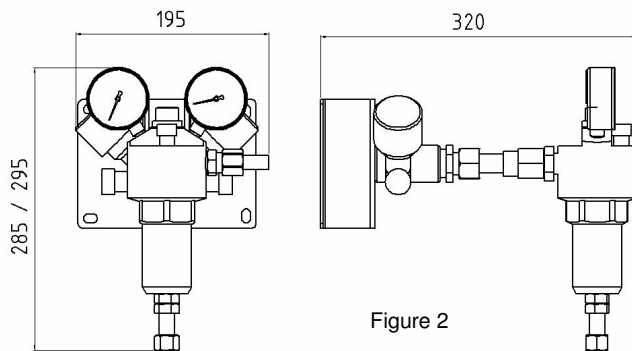
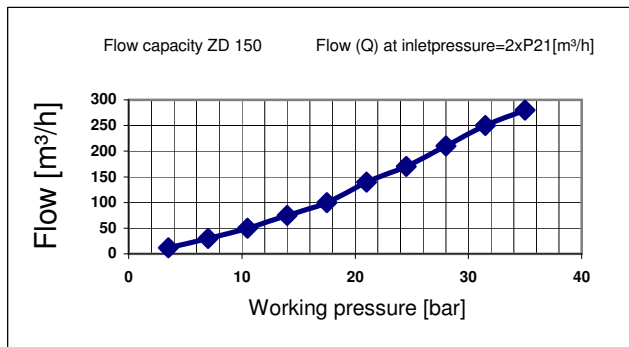


Figure 2



Hornung Quality standard

The company Hornung is certified to
DIN EN ISO 9001

All single parts are manufactured, assembled and tested in house.

The finished parts are therefore under the criteria of our exact quality control with 100% final control.

Description

The supply station ZD 150 is available in a single and double sided configuration. The double sided station (Fig.1+2) for assembly in double sided cylinder and bundle battery systems guarantees the interruption free gas supply with manual switching.

The single sided station (Fig.3+4) is for assembly in single sided cylinder and bundle battery systems and ensures a safe cut-off of the gas supply.

With the supply station ZD 150 a maximum pressure of 300 bar can be reduced to a maximum pressure of 10, 16, 20 or 35 bar and held constant.

The supply station consists of a single stage central pressure regulator to DIN EN 961 (ISO 7291) with BAM Oxygen certification

The integrated relief valve protects the valve from excessive inlet pressure.

Double shut-off valve (double sided station) or a main shut-off valve (single sided station), both certified with BAM, are also feature of the station.

The assembly is mounted on a wall bracket.

Ferdinand Hornung GmbH & Co. KG
Rathenaustraße 55, 63263 Neu-Isenburg

Tel: (0 61 02) 78 83 - 70 www.hornung.org
Fax: (0 61 02) 78 83 - 40 info@hornung.org

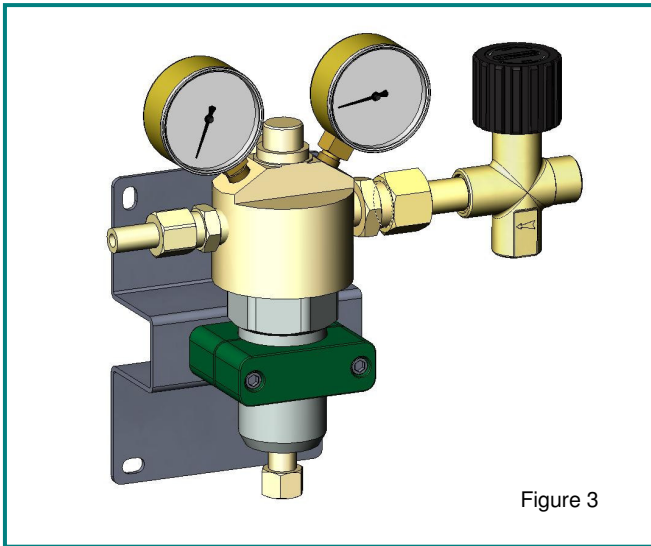


Figure 3

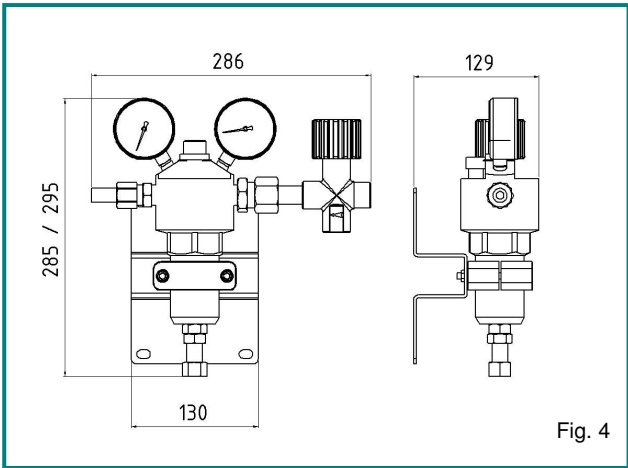


Fig. 4

Figure 3+4: single side regulator (right)
Also available as left, sizes identical

Technical details:

Material: Brass
 Seat: EPDM
 Filter: Metal, pore size 40µm
 Diaphragm: Stainless steel
 Max. Inlet pressure: 300 bar
 Max. Output: 280m³/h
 Regulating area: 1,0 – 35bar
 Operating temp.r: -20°C bis +60°C
 Size: 295 x 195 x 320 mm (1 s.)
 295 x 286 x 129 mm (2 s.)
 Weight: 5300g (1 s.)
 6500g (2 s.)
 Connections: Inlet:
Single sided: G 3/4 DIN 8542
 or G 3/4 DIN 477
double sided: G 3/4 DIN 477
 Outlet: Nipple 1/2"
 Gauge: G1/4

Order details:

Format:

- 1 = single sided, right
- 2 = single sided, left
- 3 = double sided

Inlet pressure (p1):

- 1 = 200 bar
- 2 = 300 bar

Outlet pressure (p2):

- 1 = 1-10 bar
- 2 = 1-16 bar
- 3 = 1-20 bar
- 4 = 1-35 bar

Connection inlet (only with single sided):

- 1 = G 3/4m DIN 8542
- 2 = G 3/4m DIN 477 /Nr.9

Order example:

Station -Type	
47	Supply station ZD 150

47	-1	1	2	1	Gas type
-----------	-----------	----------	----------	----------	-----------------

Type Format p1 p2 Inlet Gas type

Accessories:

High pressure manifold : see data sheet "High pressure manifold"

Note:

See also data sheet "Cylinder battery system" and "Bundle battery system"