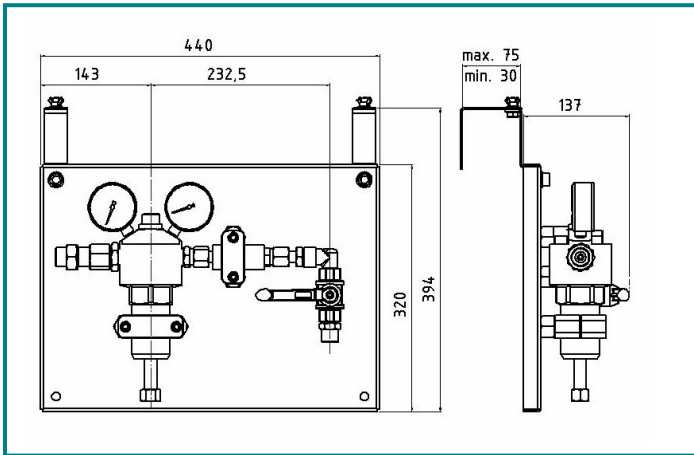
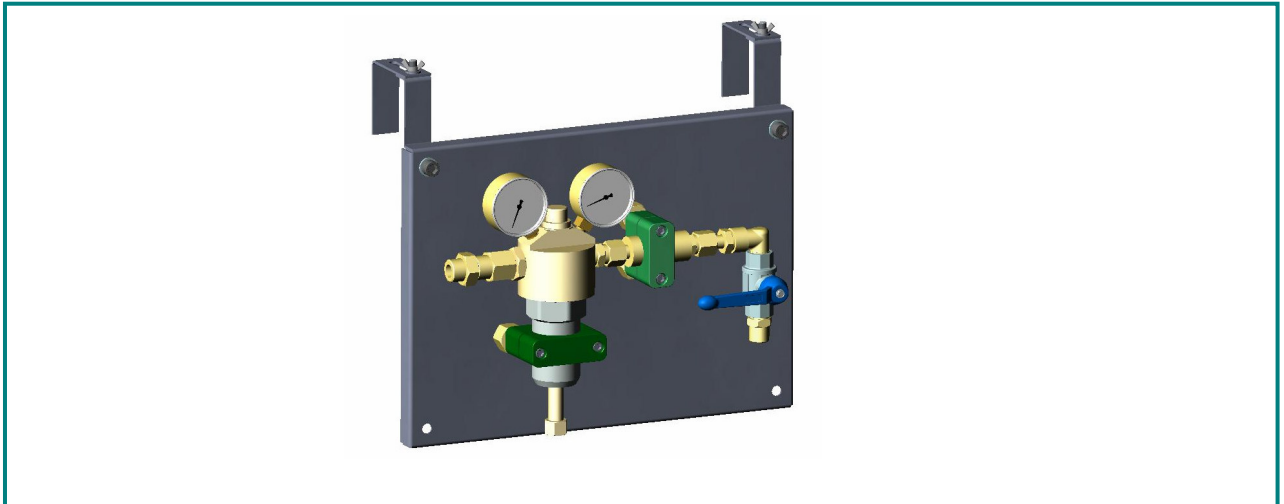


# Gas supply station ZD 150 portable



## Description

The gas supply station ZD 150 is a single sided Oxygen supply unit.

The construction of the basic console with brackets enables the use on different locations e.g. cylinder bundles. A permanent installation is also possible.

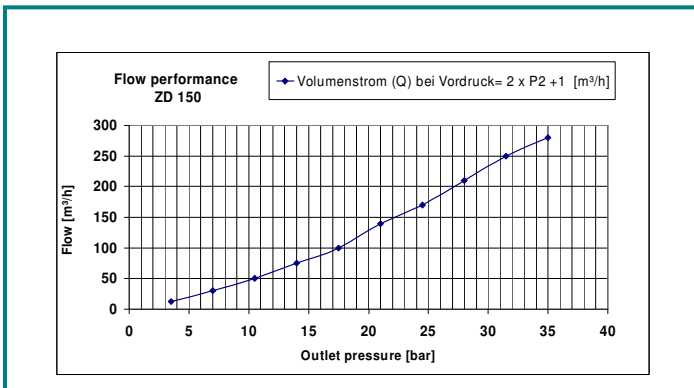
With the supply station ZD 150 a maximum pressure of 300 bar can be reduced to a maximum pressure of 10, 16, 20 or 35 bar and held constant.

The supply station consists of a single stage central pressure regulator to DIN EN 961 (ISO 7291) with BAM Oxygen certification

The integrated relief valve protects the valve from excessive outlet pressure.

The installed safety equipment guarantees safe gas supply according to EN 730-1.

A shut-off valve installed at the outlet ensures a complete gas flow stop.



## Hornung Quality standard

The company Hornung is certified to

### DIN EN ISO 9001

All single parts are manufactured, assembled and tested in house.

The finished parts are therefore under the criteria of our exact quality control with 100% final control.

Ferdinand Hornung GmbH & Co. KG  
Rathenaustraße 55, 63263 Neu-Isenburg

Tel: +49 (0) 61 02 - 78 83 - 70 www.hornung.org  
Fax: +49 (0) 61 02 - 78 83 - 40 info@hornung.org

**INFO:****Safety equipment**

Always in use where high gas flows are needed by minimum pressure loss. The high gas flow is a guarantee for longer life, higher safety and functionality.

**Safety elements:**

- Non-return valve
- Flame arrestor
- Thermal cut-off valve

Long life through installed dust filter

**Test specification Safety arrangement:**

Equipment should be tested at least bi-annually.

Test equipment can be supplied on request.

Safety equipment can be repaired and serviced by the manufacturer.

**Technical details:**

Material: Brass  
 Seat: EPDM  
 Filter: Metal, Pore size 40µm  
 Diaphragm: Stainless steel  
 Max. Inlet pressure: 300 bar  
 Max. Output: 280 m³/h  
 Regulating area: 1,0 – 35 bar  
 Operating temp.: -20°C to +60°C  
 Size: 440 x 320 x 137 mm  
 Weight: 8000g

**Order details:****Inlet pressure (p1):**

1 = 200 bar  
 2 = 300 bar

**Outlet pressure (p2):**

1 = 1-10 bar  
 2 = 1-16 bar  
 3 = 1-20 bar  
 4 = 1-35 bar

**Order example:**

|              |                         |
|--------------|-------------------------|
| Station-Type |                         |
| 47           | Station ZD 150 portable |

|     |   |   |        |
|-----|---|---|--------|
| 47- | 1 | 2 | Gasart |
|-----|---|---|--------|

Typ    p1    p2    Gasart

**Accessories:**

- ZDA 25 Station, portable
- Gas manifold, portable
- Low pressure hose to station
- High pressure hose to cylinder bundle