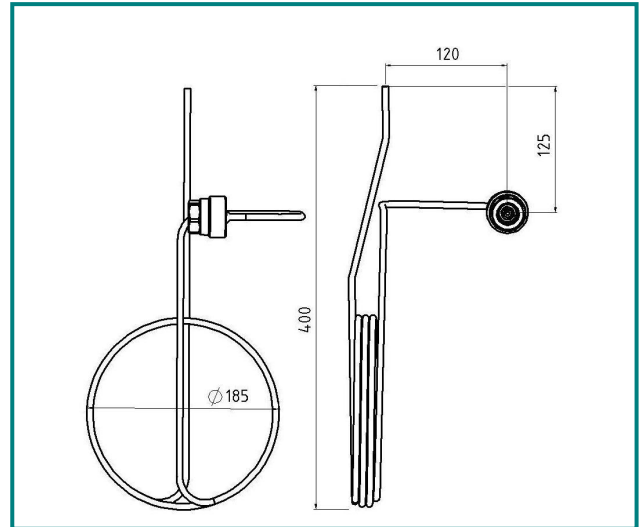
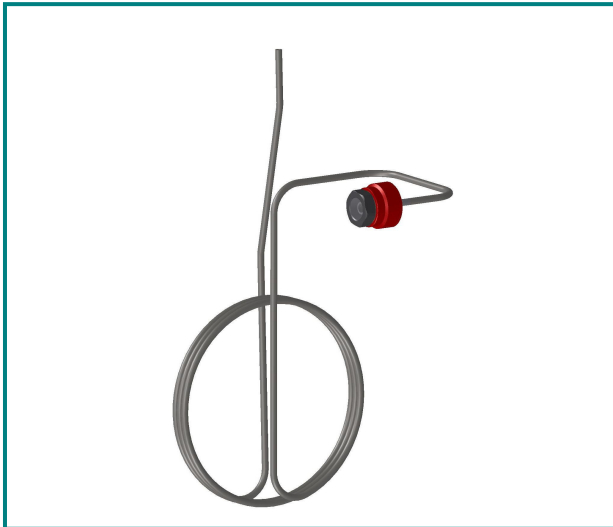


Pigtails HP 603

6mm st.st tube, ideal for space saving cabinet applications



Pigtails in stainless steel 1.4404 are for connecting gas cylinders with gas supply panels. The pigtails are fitted with a hand nut and gas specific connections to DIN477 -1 or -5 (300 bar)

Ordering number	Pressure area	Cylinder connection	Outlet
HP603-01	to 200bar	W21,8x1/14" left	Tube 6mm
HP603-05	to 200bar	W 1" left	Tube 6mm
HP603-07	to 200bar	W21,8x1/14" right	Tube 6mm
HP603-08	to 200bar	W 1" right	Tube 6mm
HP603-09	to 200bar	G 3/4" right	Tube 6mm
HP603-10	to 200bar	W24,32x1/4" right	Tube 6mm
HP603-11	to 200bar	G3/8" right	Tube 6mm
HP603-13	to 200bar	G5/8" right	Tube 6mm
HP603-14	to 200bar	M19x1,5 left	Tube 6mm
HP603-0170	to 300bar	W30x2 right	Tube 6mm
HP603-1170	to 300bar	W30x2 right	Tube 6mm
HP603-2170	to 300bar	W30x2 left	Tube 6mm
HP603-4170	to 300bar	W30x2 right	Tube 6mm

***Pigtails with connections to other national standards on request**
When ordering, please specify type of gas

Technical data:

Material: stainless steel 1.4404
 electropolished.

Connection: Connecting thread
 DIN 477-1 or -5 (300 bar)

Gas purity: ≤ 6.0

Hornung Quality standard

The company Hornung is certified to
DIN EN ISO 9001
 All single parts are manufactured, assembled and tested by in-house production.
 The finished parts are therefore under all criteria of German quality control with 100% final inspection.

Ferdinand Hornung GmbH & Co. KG
 Rathenaustraße 55, 63263 Neu-Isenburg

Tel: (0 61 02) 78 83 - 70 www.hornung.org
 Fax: (0 61 02) 78 83 - 40 info@hornung.org