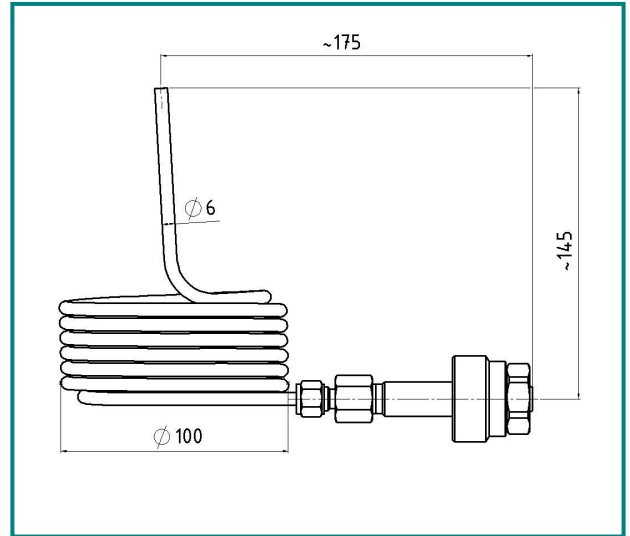


# Connecting spirals HP 600



Connecting spirals in stainless steel 1.4404 are the connecting tubes between gas cylinders and gas supply stations. The connecting spirals are fitted with a hand nut and gas specific connections to DIN477 und CEN-Hevos.

Order number	Pressure area	Cylinder connection	Outlet
HP600-01	to 200bar	W21,8x1/14" left	Tube 6mm
HP600-05	to 200bar	W 1" left	Tube 6mm
HP600-07	to 200bar	W21,8x1/14" right	Tube 6mm
HP600-08	to 200bar	W 1" right	Tube 6mm
HP600-09	to 200bar	G 3/4" right	Tube 6mm
HP600-10	to 200bar	W24,32x1/4" right	Tube 6mm
HP600-11	to 200bar	G3/8" right	Tube 6mm
HP600-13	to 200bar	G5/8" rechts	Tube 6mm
HP600-14	to 200bar	M19x1,5 left	Tube 6mm
HP600-0170	to 300bar	W30x2 right	Tube 6mm
HP600-1170	to 300bar	W30x2 right	Tube 6mm
HP600-2170	to 300bar	W30x2 left	Tube 6mm
HP600-4170	to 300bar	W30x2 right	Tube 6mm

Other connections and combinations on request

Always give the gas type with the order number !

#### Technical data:

Material:	Stainless steel 1.4404 electropolished.
Connection:	Connecting thread DIN 477 or CEN-HEVOS
Gas purity:	≤ 6.0

#### Hornung Quality standard

The company Hornung is certified to **DIN EN ISO 9001**  
All single parts are manufactured, assembled and tested in house.  
The finished parts are therefore under the criteria of our exact quality control with 100% final control.

Ferdinand Hornung GmbH & Co. KG  
Rathenaustraße 55, 63263 Neu-Isenburg

Tel: (0 61 02) 78 83 - 70 www.hornung.org  
Fax: (0 61 02) 78 83 - 40 info@hornung.org