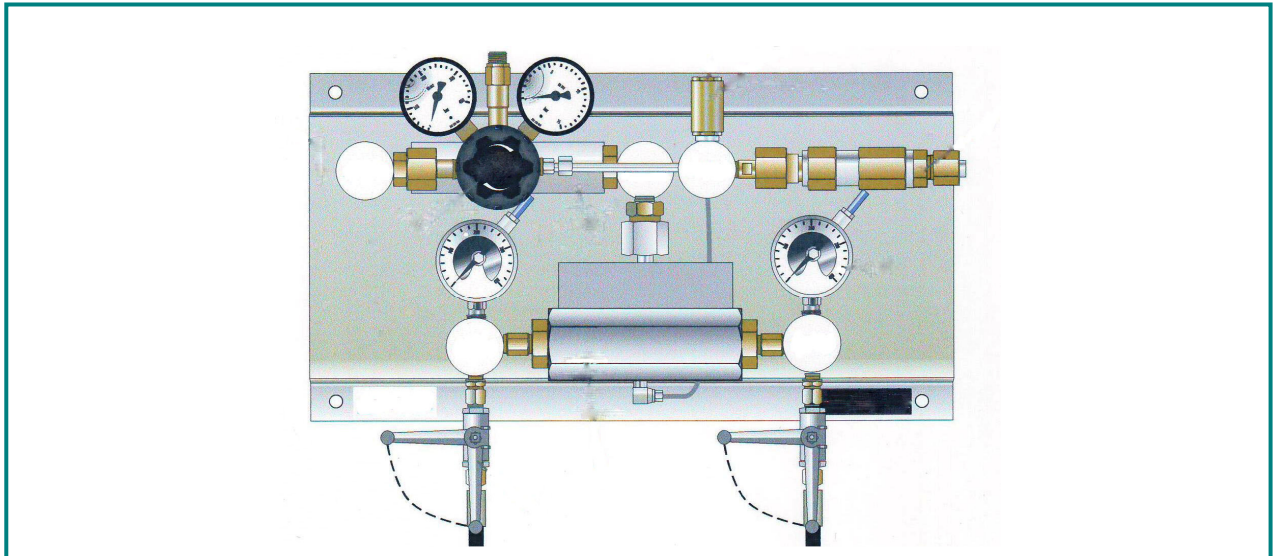


Cylinder station HP 276 Acetylen 2.6

2x1 cylinder with automatic changeover



Description:

The HP 274 is a single stage supply panel for Acetylene 2.6 for 2x1 cylinder with automatic changeover.

The cylinder station serves the secure supply of Acetylene from 1 or 2 cylinders and is available for 2x1 cylinder as standard.

The station is mounted on a console and has a pressure regulator with in and outlet gauges as standard. Also a safety valve, flashback arrestor und quick-connectors.

Can be retrofitted with contact gauges.

In addition, as accessories, a gas failure detector and an emergency shut-off system for upgrading the safety of the system are also available (see. segment 7).

Application area:

Especially for gases with high requirements on purity to 6.0. Secure and leak-proof were an uninterrupted supply over night and at week-ends must be guaranteed.

Utilisation in Labs and AAS-supply.

Technical details:

Material:	Brass
Purity:	≤ 2.6
Max. Inlet pressure:	25 bar
Outlet pressure range:	0,1 – 1,5 bar
Operating temp.:	-20°C to +70°C
Dimensions	480x260x300
Weight:	approx. 20kg (1x1)
Flow:	approx. 0,5m ³ /h (momentary 1m ³ /h)
Connections:	
Inlet:	to DIN 477-3 (others on request)
Outlet:	NPT ¼ f

Type approval:

for hoses	BAM 0283
for ball valve DN 6	BAM 0394
for quick shut-off device. HDS17	BAM 1481
for pressure regulator	BAM cert.
for flash back arrestor	BAM 0485

Hornung Quality standard

The company Hornung is certified to
DIN EN ISO 9001

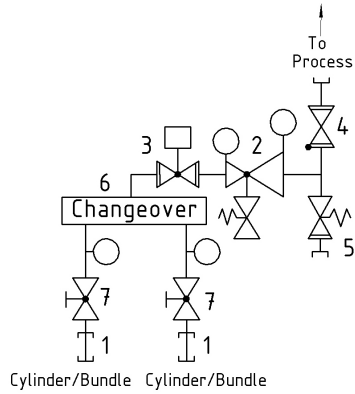
All single parts are manufactured, assembled and tested by in-house production.

The finished parts are therefore under all criteria of German quality control with 100% final inspection.

Ferdinand Hornung GmbH & Co. KG
Rathenaustraße 55, 63263 Neu-Isenburg

Tel: (0 61 02) 78 83 - 70 www.hornung.org
Fax: (0 61 02) 78 83 - 40 info@hornung.org

Flow diagram:



Accessories:

See total catalogue segment

- Gauges, compression fittings, cylinder holders and accessories.
Gas cylinder cabinets und safety equipment.

Scope of supply:

High pressure hose 90°, approx. 800mm long (1)
Pressure regulator with in and outlet gauges (2)
quick shut-off device (3)
flash back arrestor (4)
Safety valve (5)
Changeover (6)
Shut off ball valve (7)

Without compression fittings at outlet

Ordering information:

Number of cylinders:

- 1 = 2x1 cylinder
- 2 = 2x2 cylinders

Gauges:

- 1 = standard gauge
- 2 = contact gauge Ex

Order example:

HP276-	1	2	Acetylen
Typ	No. Cyl.	gauge	Gas type