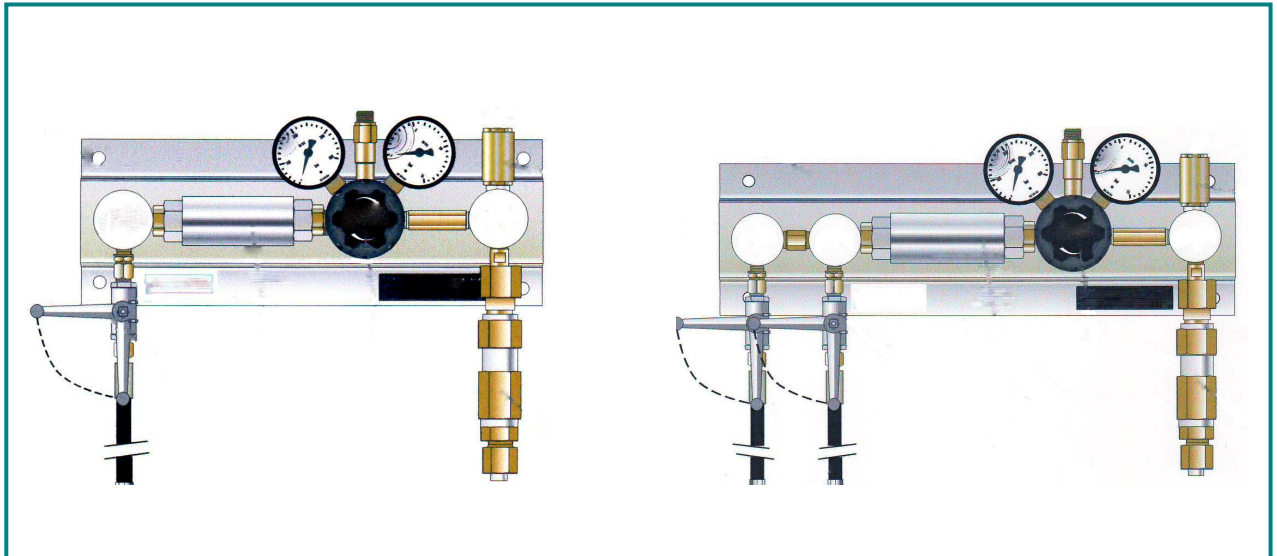


# Cylinder station HP 274 Acetylene 2.6

1x1 cylinder or 1x2 cylinder one sided



## Description:

The HP 274 is a single stage cylinder station for Acetylene 2.6.

The supply panel serves the secure supply of Acetylene from 1 or 2 cylinders and is available for 1x1 cylinder or 1x2 cylinders as standard.

The station is mounted on a console and has a pressure regulator with in and outlet gauges as standard. Also a safety valve, flashback arrestor und quick-connectors.

Can be retrofitted with contact gauges.

In addition, as accessories, a gas failure detector and an emergency shut-off system for upgrading the safety of the system are also available (see. segment 7).

## Application area:

Especially for gases with high requirements on security and leak-tightness

Utilisation in Labs and AAS-supply.

## Technical details:

Material:	Brass
Purity:	≤ 2.6
Max. Inlet pressure:	25 bar
Outlet pressure range:	0,1 – 1,5 bar
Operating temp.:	-20°C to +70°C
Dimensions	(1x1) 405x200x300 (1x2) 470x200x300
Weight:	approx. 7kg (1x1)
Flow:	approx. 0,5m <sup>3</sup> /h (momentary 1m <sup>3</sup> /h)
Connections:	
Inlet:	to DIN 477-3 (others on request)
Outlet:	NPT ¼ f

## Type approval:

for hoses	BAM 0283
for ball valve DN 6	BAM 0394
for quick shut-off device. HDS17	BAM 1481
for pressure regulator	BAM cert.
for flash back arrestor	BAM 0485

## Hornung Quality standard

The company Hornung is certified to **DIN EN ISO 9001**

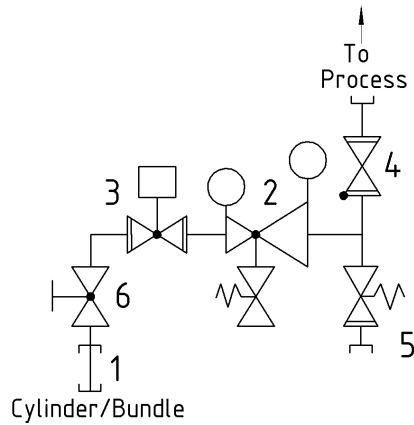
All single parts are manufactured, assembled and tested by in-house production.

The finished parts are therefore under all criteria of German quality control with 100% final inspection.

Ferdinand Hornung GmbH & Co. KG  
Rathenaustraße 55, 63263 Neu-Isenburg

Tel: (0 61 02) 78 83 - 70   www.hornung.org  
Fax: (0 61 02) 78 83 - 40   info@hornung.org

**Flow diagram:**



**Accessories:**

**See total catalogue segment**

- 7. Gauges, compression fittings, cylinder holders and accessories. Gas cylinder cabinets und safety equipment.

**Scope of supply:**

- High pressure hose 90°, approx. 800mm long (1)
- Pressure regulator with in and outlet gauges (2)
- quick shut-off device (3)
- flash back arrestor (4)
- Safety valve (5)
- Shut off ball valve (6)

Without compression fittings at outlet

**Ordering information:**

**Number of cylinders:**

- 1 = 1x1 cylinder
- 2 = 1x2 cylinders

**Gauges:**

- 1 = standard gauge
- 2 = contact gauge Ex

**Order example:**

HP274-	1	1	Acetylen
Typ	No. Cyl.	gauge	Gas type