

# Precision line regulator PHR

- single stage for mbar applications



## Description:

The excellent gas control characteristics of PHR – even in the mbar area starting with 10 mbar is based on the wide and flexible diaphragm construction.

As an option the PHR regulator can be delivered with in- and outlet pressure indicators or with a wall mounting bracket.

## Application areas:

Der Präzisionsdruckminderer PHR kommt speziell in folgenden Bereichen zum Einsatz:

- Laboratories and Industries
- Science and research
- Gas analysis
- Gaschromatography
- Process engineering

## Technical details:

Body:	brass or stainless steel electropolished
Seat:	Viton
Diaphragm:	Viton
Purity:	≤ 5.0
Max.pressure inlet:	16 bar
Pressure outlet ranges	10 mbar – 2 bar
Flow rate:	10 m <sup>3</sup> /h Luft
Operating temp.:	-20°C to +70°C
Gauge: (optional)	safety classification accord. EN 837-1 KL1,6
Threads:	Inlet G 1/4 f Outlet G 1/4 f

## Hornung Quality standard

The company Hornung is certified to

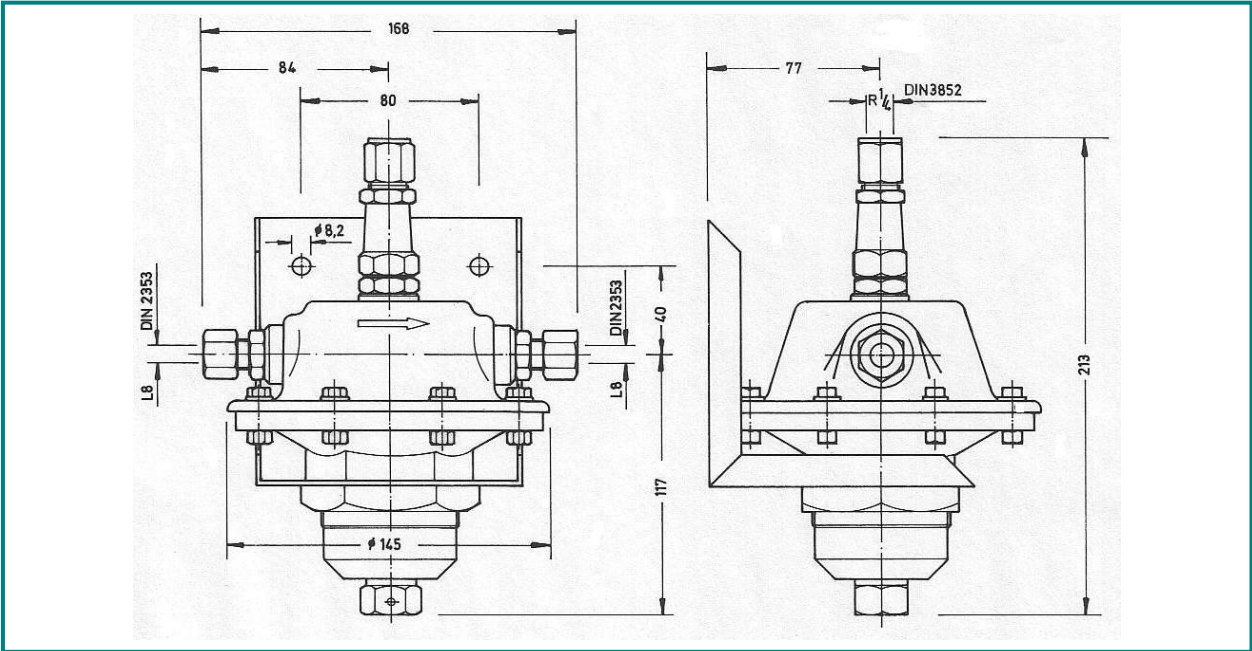
### DIN EN ISO 9001

All single parts are manufactured, assembled and tested by in-house production.

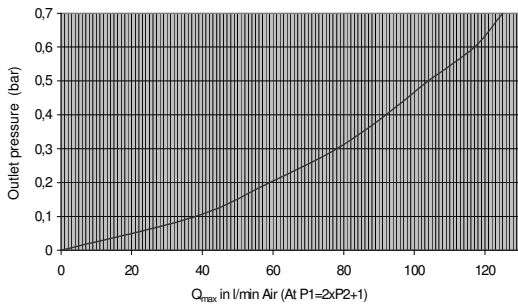
The finished parts are therefore under all criteria of German quality control with 100% final inspection.

Ferdinand Hornung GmbH & Co. KG  
Rathenaustraße 55, 63263 Neu-Isenburg

Tel: (0 61 02) 78 83 - 70 www.hornung.org  
Fax: (0 61 02) 78 83 - 40 info@hornung.org



Flow performance - PHR



**Asseccories:**

See catalogue register 7 (Technical gases) and 6 ( for high purity gases)

**Ordering informations:**

**Material:**

- 1 = brass
- 2 = stainless steel electropolished

**Outlet pressure ranges:**

- 1 = 30 mbar
- 2 = 50 mbar
- 3 = 70 mbar
- 4 = 100 mbar
- 5 = 200 mbar
- 6 = 300 mbar
- 7 = 500 mbar
- 8 = 700 mbar
- 9 = 1000 mbar
- 10 = 1500 mbar
- 11 = 2000 mbar

**Gauge:**

- 1 = without
- 2 = with working pressure indicator
- 3 = In- and outlet pressure gauges

**Options for in- and outlet:**

- 00 = G 1/4" f
- 03 = compression fitting 3mm
- 06 = compression fitting 6mm
- 08 = compression fitting 8mm
- 10 = compression fitting 10mm
- 12 = compression fitting 12mm

**Ordering example:**

28-	2	2	2	08	12	Gas
Type	Mat.	Pressure Gauge	Inlet	Outlet	Gas	