

Line pressure regulator HP 302

- single stage (4-port) max 300 bar inlet pressure



Gauges optional

Description:

The pressure regulator HP 300 is a single stage line pressure regulator with metal diaphragm.

Application area:

For integrating in pipe systems or (analytical) instruments

High purity gas quality in science and research

Due to special cleaning system also suitable for ECD application.

Technical details:

Body:	stainless steel 1.4404 electropolished or brass, nickel & matt chrome plated
Seat :	PCTFE
Diaphragm:	1.4435
Leakage rate: against atmosphere	10^{-8} mbar l/s He
Gas purity:	≤ 6.0
Max. Inlet pressure:	300 bar
Outlet pressure ranges:	0,1-1; 0,1-3; 1-6; 1-12; 1-17 bar
Operating temp.:	-20 °C to +70 °C
Gauges:	Safety version to EN 837-1 KL1,6
Dimensions (wxhxd):	180 x 95 x 125
Weight:	1200g
Threads:	NPT 1/4" f

Horning Quality standard

The company Horning is certified to **DIN EN ISO 9001**

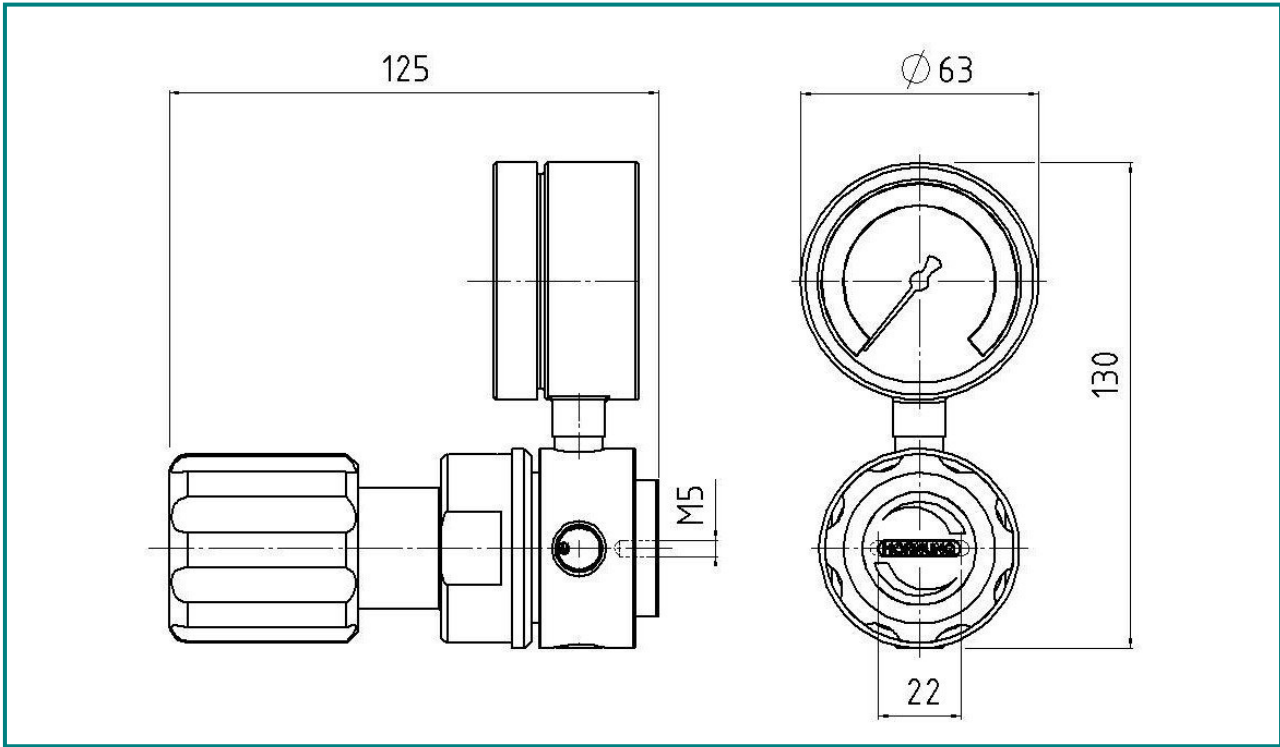
All single parts are manufactured, assembled and tested by in-house production.

The finished parts are therefore under all criteria of German quality control with 100% final Inspection.

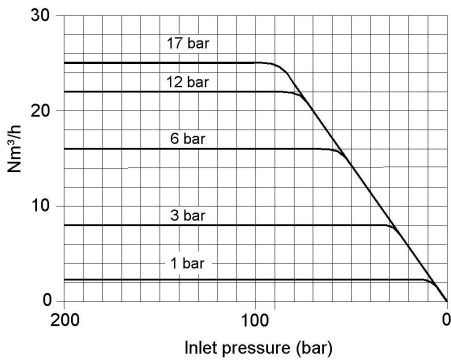
Ferdinand Horning GmbH & Co. KG
Rathenaustraße 55, 63263 Neu-Isenburg

Tel: +49(0) 61 02 - 78 83 - 70
Fax: +49(0) 61 02 - 78 83 - 40

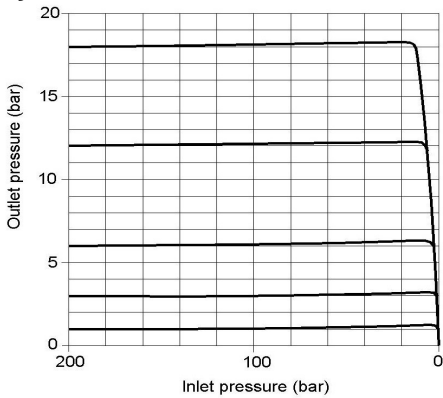
www.horning.org
info@hornung.org



Performance curve HP 302



Dynamic flow curve HP 302



Accessories:

See total catalogue segment

- 6 Gauges, compression fittings and accessories

Ordering information:

Material:

- HP302 = stainless steel electropolished
- HP302MS = brass, nickel and matt chrome Plated

Inlet:

- 1 = from the left to the right
- 2 = from the right to the left

Outlet pressure ranges:

- 1 = 0,1 - 1 bar
- 2 = 0,1 - 3 bar
- 3 = 1 - 6 bar
- 4 = 1 - 12 bar
- 5 = 1 - 17 bar

Gauge:

- 1 = Without gauges
- 2 = Outlet gauge (working pressure)

Inlet – and Outlet Option:

- 0 = NPT 1/4" f
- 3 = compression fitting 3 mm
- 6 = compression fitting 6 mm
- 8 = compression fitting 8 mm
- 10 = compression fitting 10mm
- 12 = compression fitting 12mm

Ordering example:

Druckreglertyp	1-stage
HP302	4-port

HP302-	1	3	2	6	Medium
--------	---	---	---	---	--------

Type Inlet Pressure Gauge Option Medium