

Line pressure regulator HD250

- Inlet pressure max 440 bar and operating pressures up to 250 bar



Description:

The Line pressure regulator HD250 is a single-stage pressure regulator for high pressure applications (In- and Outlet)

The HD250 is designed as a piston pressure-regulator and reduces the pressure of compressed gases or liquids to a maximum outlet pressure of 250 bar.

Application area:

This pressure regulator is designed for use with high inlet and outlet pressures.

High pressure technology

Pilot pressure regulator e.g. in controlled systems in connection with Dome pressure regulators.

The high-grade steel construction with gaskets made of Viton compound permits the use of aggressive media with HD 250

Technical details:

Body:	brass, nickel and matt chrome plated or stainless steel
Seat:	PCTFE
Gaskets:	Viton / NBR
Max. inlet pressure:	440 bar
Outlet pressure range:	5 - 250 bar 1 - 100 bar 1 - 50 bar
Operating temp.:	-20°C to +70°C
Dimensions:	131 x Ø53 (mm)
Weight:	865g
Threads:	In- and Outlet NPT 1/4" f

Hornung Quality standard

The company Hornung is certified to

DIN EN ISO 9001

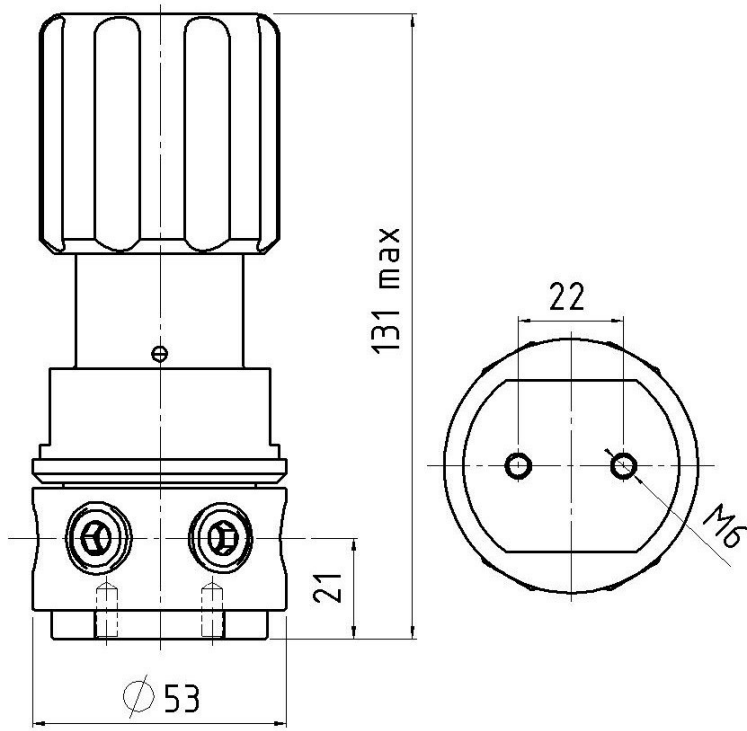
All single parts are manufactured, assembled and tested by in-house production.

The finished parts are therefore under all criteria of German quality control with 100% final Inspection.

Ferdinand Hornung GmbH & Co. KG
Rathenaustraße 55, 63263 Neu-Isenburg

Tel: (0 61 02) 78 83 - 70
Fax: (0 61 02) 78 83 - 40

www.hornung.org
info@hornung.org



Accessories:

See total catalogue segment

- 5. Diaphragm shut-off and metering valves
- 7. Gauges, screws compression fittings and other accessories

Ordering information:

Material:

- 1 = Brass, nickel and matt chrome plated
- 2 = stainless steel electropolished

Gaskets:

- 1 = NBR
- 2 = Viton

Outlet pressure ranges:

- 1 = 5 – 250 bar
- 2 = 1 – 100 bar
- 3 = 1 – 50 bar

Gauge:

- 1 = Without gauges
- 2 = Outlet pressure gauge
- 3 = In and outlet pressure gauges

Outlet option:

- 00 = NPT 1/4" f
- 03 = compression fitting 3mm
- 06 = compression fitting 6mm
- 08 = compression fitting 8mm
- 10 = compression fitting 10mm
- 12 = compression fitting 12mm

Ordering example:

Regulator type	
42	HD250

42-	1	1	2	3	06	Medium
-----	---	---	---	---	----	--------

Type Mat. Gaskets Press. Gauge Option Medium