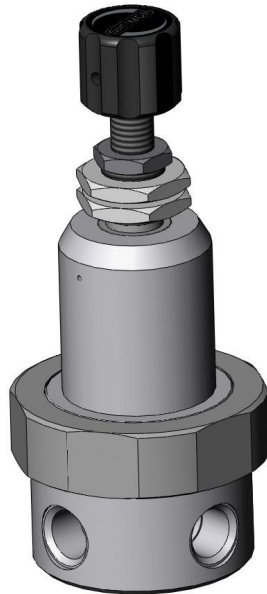


Precision pressure regulator FR 1

- single stage with balanced main valve
for mbar applications and instrumentation



Description:

The FR1 is a single-stage precision pressure regulator with balanced main valve.

The FR1 is for installation in piping systems, for installation in control panels or for integrating in instruments (instrumentation).

The Integrated balanced poppet ensures that even when inlet pressure drops down a constant operating pressure is guaranteed (dual stage effect).

An easily replaceable sinter metal filter element is integrated into the pressure regulator as standard.

Application area:

The precision pressure regulator FR1 is used particularly in the following areas:

- Gas analysis
- Gas chromatography
- Instrumentation
- Process engineering
- Metallurgy
- Laboratory applications
- mbar applications

Technical details:

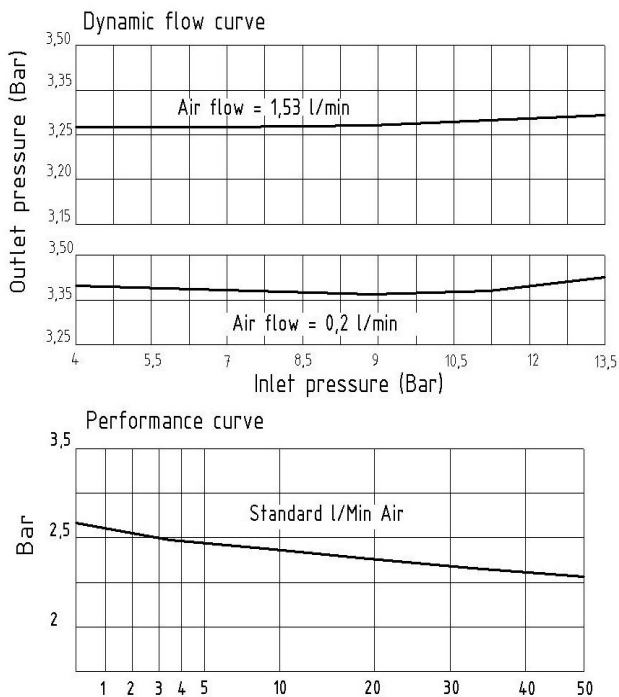
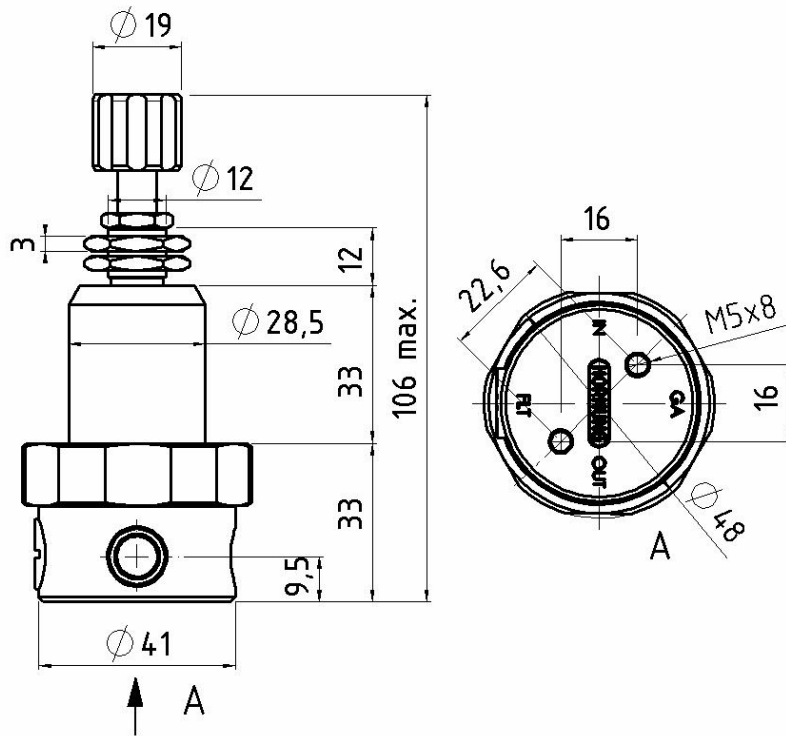
| | |
|-------------------------|--|
| Body: | Aluminium anodised or Stainless steel |
| Valve seat: | Stainless steel |
| Gaskets: | Viton / NBR |
| Diaphragm: | Viton / NBR / Stainless steel |
| Max. Inlet pressure: | 12 bar |
| Outlet pressure ranges: | 50mbar to 7 bar |
| Operating temp.: | -20 to +70°C |
| Dimensions: | 106 x 48 |
| Weight: | 240g |
| Threads: | in- / outlet NPT 1/8" f |

Hornung Quality standard

The company Hornung is certified to
DIN EN ISO 9001

All single parts are manufactured, assembled
and tested by in-house production.

The finished parts are therefore under all criteria
of German quality control with 100% final
inspection



Ordering information:

- Body:** 1 = Aluminium
2 = St.steel (1.4404)
- Diaphragm:** 1 = NBR
2 = Viton
3 = St.steel (1.4435)
4 = Hastelloy (2.4610)
- Gaskets:** 1 = NBR
2 = Viton
- Gauge:** 0 = None
1 = Outlet gauge
- Pressure area:**
1 = up to 170 mbar
2 = up to 350 mbar
3 = up to 500 mbar
4 = up to 700 mbar
5 = up to 2,1 bar
6 = up to 4,2 bar
7 = up to 7,0 bar

Ordering example:

| | |
|----------------|------|
| Regulator type | |
| 27 | FR 1 |

| | | | | | | |
|-----|---|---|---|---|---|-----|
| 27- | 2 | 3 | 2 | 1 | 4 | Gas |
|-----|---|---|---|---|---|-----|

Type Body Diaphragm O-Rings Gauge Pressure Gas

Accessories:

Gauges, compression fittings and accessories (see chapter 6)