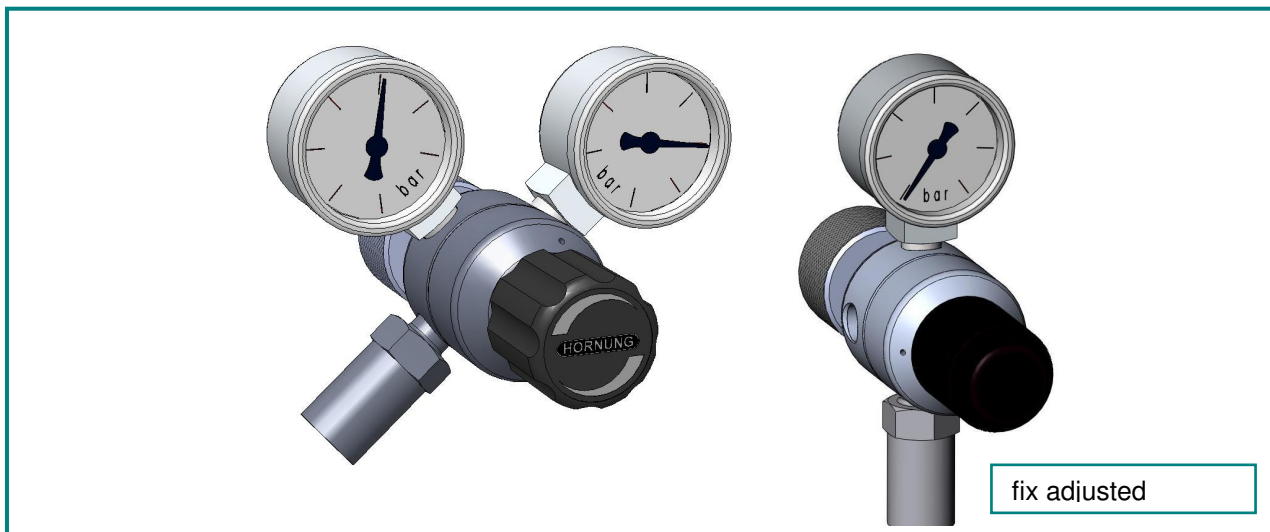


Cylinder pressure regulator HP 104

- single stage with balanced main valve
in brass, nickel and matt chrome plated or stainless steel



Description:

The pressure regulator HP 104 is a single stage cylinder pressure regulator with balanced main valve for improved performance (significantly improved outlet pressure accuracy similar to a dual-stage regulator) in stainless steel 1.4404 or brass nickel and chrome plated and has been developed especially for the gas supply from single small cylinders (e.g. lecture bottles).

- The HP 104 regulator is fitted as a standard with gas specific connections to DIN 477 or any other common national standard and can be connected without the use of special tools
- Ergonomic design, compact dimensions low weight, optimised handling and a minimised gas-wetted surface are the main attributes of HP 104 regulator.

Application Area

For special and pure gas applications, the HP 104 is ideal for use in the following areas:

- For lecture bottles and field applications
- Pharmaceutical
- Chemical
- Petrochemical
- Environment protection
- Space and aviation technology
- Automotive engineering
- Food processing
- Science and research

Technical details:

Body:	stainless steel 1.4404 electropolished or brass, nickel and chrome plated
seat:	PCTFE
Diaphragm:	1.4435 / Hastelloy
Leakage rate: against atmosphere	10^{-8} mbar l/s He
Gas purity:	≤ 6.0
Max. Inlet pressure:	200 bar
Outlet pressure ranges:	0,1-1; 0,1-4; 1-10 bar or: fix adjusted
Operating temp.:	-20°C to +70°C
Gauges:	Safety version to EN 837-1 KL1,6
Size (WxHxD):	106 x 97 x 112
Weight:	700g
Threads:	NPT 1/8" f

Hornung Quality standard

The company Hornung is certified to
DIN EN ISO 9001

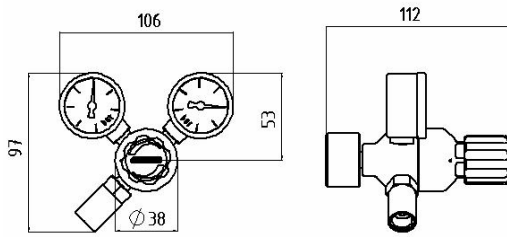
All single parts are manufactured, assembled and tested by in-house production.

The finished parts are therefore under all criteria of German quality control with 100% final inspection.

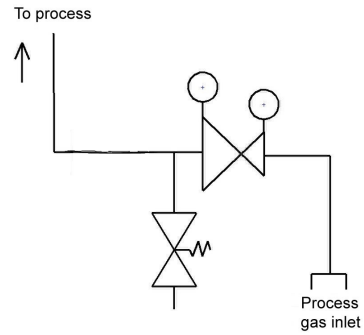
Ferdinand Hornung GmbH & Co. KG
Rathenaustraße 55, 63263 Neu-Isenburg

Tel: (0 61 02) 78 83 - 70 www.hornung.org
Fax: (0 61 02) 78 83 - 40 info@hornung.org

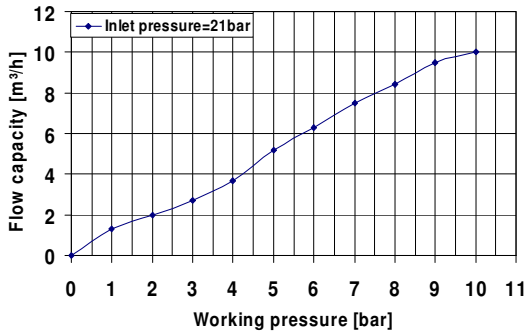
Dimensions



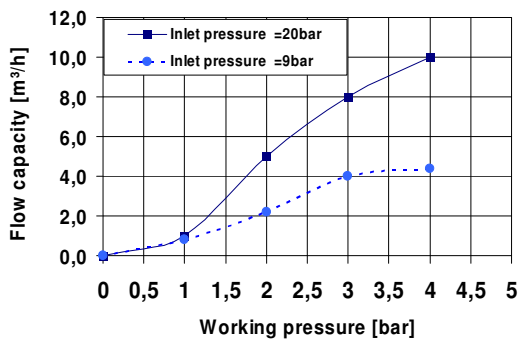
Flow diagram



Flow curve HP 104 to 10bar



Flow curve HP 104 to 4bar



Accessories:

See total catalogue segment

5. Diaphragm shut-off and metering valves
6. Gauges, screws, compression fittings, cylinder holders and accessories

Ordering Information:

Material:

- 1 = Stainless steel
- 2 = brass

Pressure outlet ranges:

- 0 = 0,1 - 1 bar
- 1 = 0,5 - 4 bar
- 2 = 1 - 10 bar
- 3 = 0,1 - 1 bar (fix adjusted)
- 4 = 0,5 - 4 bar (fix adjusted)
- 5 = 4 - 10 bar (fix adjusted)

Options for the outlet:

- 0 = 1/8" NPT – internal thread
- 1 = compression fitting 6mm
- 2 = Diaphragm shut-off valve
- 3 = Diaphragm metering valve

Ordering example:

Druckreglertyp	
70	HP104

70-	1	2	2	Gas
-----	---	---	---	-----

Type Mat. Pressure Option Gas type