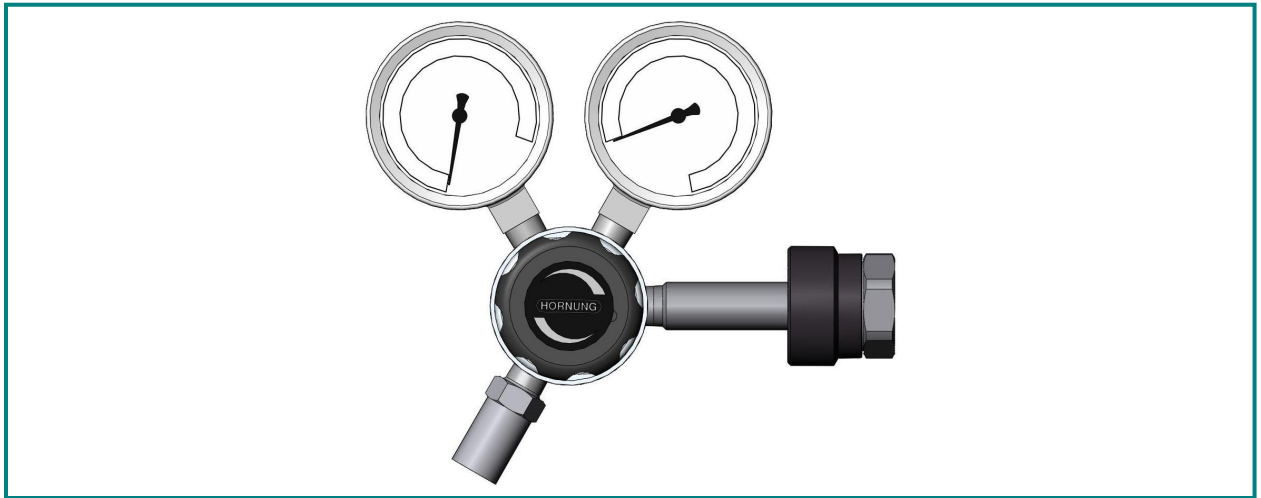


Cylinder pressure regulator HP 100

- single stage in brass, nickel and matt chrome plated or stainless steel electropolished



Description:

The pressure regulator HP 100 is a single stage cylinder pressure regulator and has been developed especially for the gas supply from single cylinders. The pressure regulator is fitted as a standard with gas specific connections to DIN 477 or any other common national standard and a relief valve.

Application area:

Especially for gases with high requirements on purity up to 6.0 and for laboratories and analytics.

A special cleaning system for the HP Series guarantees the use for ECD applications.

Technical details:

Body:	stainless steel 1.4404 electropolished and brass, nickel and matt chrome plated
seat:	PCTFE
Diaphragm:	1.4435
Leakage rate:	10^{-8} mbar l/s He against atmosphere
Gas purity:	≤ 6.0
Max. Inlet pressure:	300 bar
Outlet pressure range:	0,1-3; 1-6; 1-12; 1-17 bar
Operating temp.:	-20 °C to +70 °C
Gauges:	Safety version to EN 837-1 KL1,6
Dimensions (wxhxd):	180 x 95 x 125
Weight:	1400g
Connections:	NPT 1/4" f

Hornung Quality standard

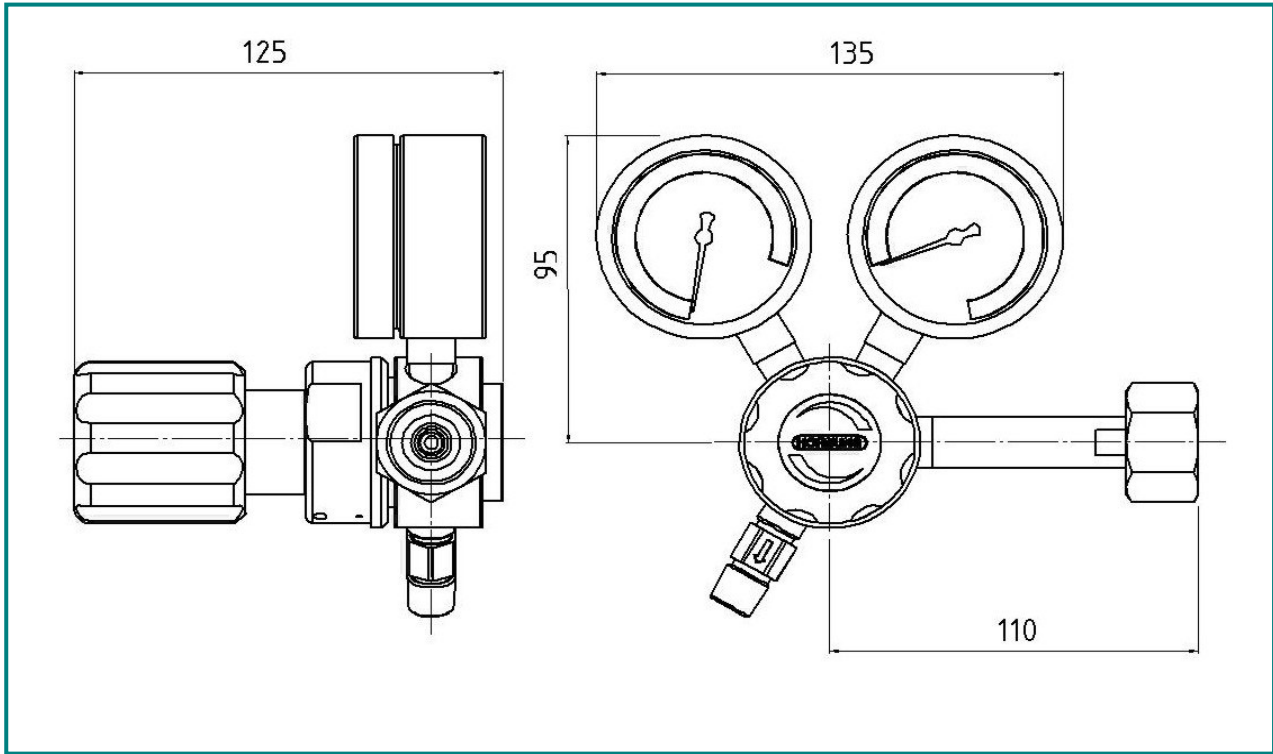
The company Hornung is certified to **DIN EN ISO 9001**

All single parts are manufactured, assembled and tested by in-house production.

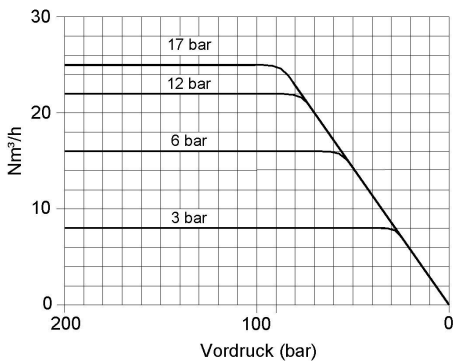
The finished parts are therefore under all criteria of German quality control with 100% final inspection.

Ferdinand Hornung GmbH & Co. KG
Rathenaustraße 55, 63263 Neu-Isenburg

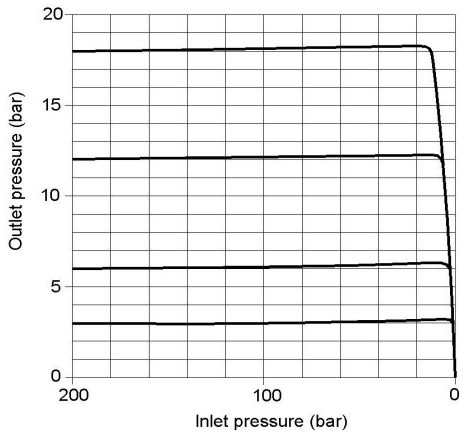
Tel: (0 61 02) 78 83 - 70 www.hornung.org
Fax: (0 61 02) 78 83 - 40 info@hornung.org



Performance curve HP 100



Dynamic flow curve HP 100

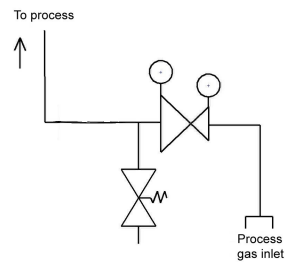


Accessories:

See total catalogue segment

- 5. Diaphragm shut-off and metering valves
- 6. Gauges, screws, compression fittings, cylinder holders and accessories

Flow diagram:



Ordering Information:

Material:

- 1 = stainless steel
- 2 = brass

Inlet pressure:

- 1 = 200 bar
- 2 = 300 bar

Pressure area:

- 2 = 0,1 - 3 bar
- 3 = 1 - 6 bar
- 4 = 1 - 12 bar
- 5 = 1 - 17 bar

Options for the outlet:

- 0 = 1/4" NPT – internal thread
- 1 = compression fitting 6mm
- 2 = Diaphragm shut-off valve
- 3 = Diaphragm metering valve

Regulator type	1-stage
without purging	66

66-	1	1	2	0	Gas
-----	---	---	---	---	-----

Type Mat. Inlet Outlet Option Gas type