

Cylinder pressure regulator HD400 FL

- for high pressure applications



Description:

HD400 FL is a single-stage pressure regulator made of brass, nickel and matt chrome plated or stainless steel 1.4404.

HD400 FL is designed as a piston pressure regulator and reduces the pressure of compressed gases to a maximum outlet pressure of 300 bar.

The pressure regulator will be fitted with gas specific connections to all common national standards.

Application area:

This pressure regulator is designed for use with high inlet and high outlet pressures.

High pressure applications

The high-grade stainless steel construction with gaskets made of Viton compound permits the use of aggressive media with this pressure regulator

Technical Details:

Body:	stainless steel 1.4404 electropolished or brass, nickel and matt chrome plated
Seat:	PCTFE
Gaskets:	Viton / NBR
Max. inlet pressure:	300 bar
Outlet pressure ranges:	10 - 300 bar
Operating temp.:	-20 °C up to +70 °C
Dimensions(wxhxd):	180 x 95 x 125
Weight:	1350g
Connections:	NPT ¼" f

Horning Quality standard

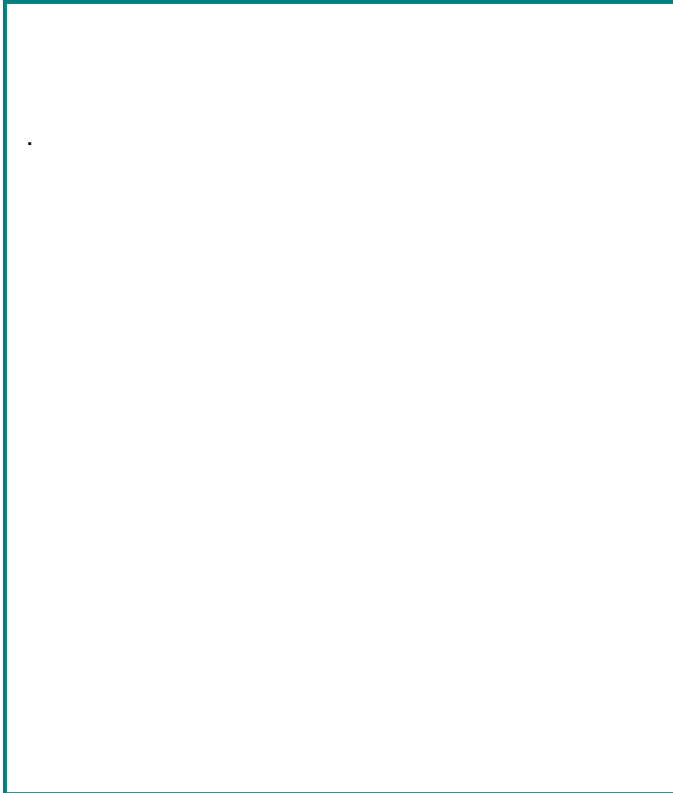
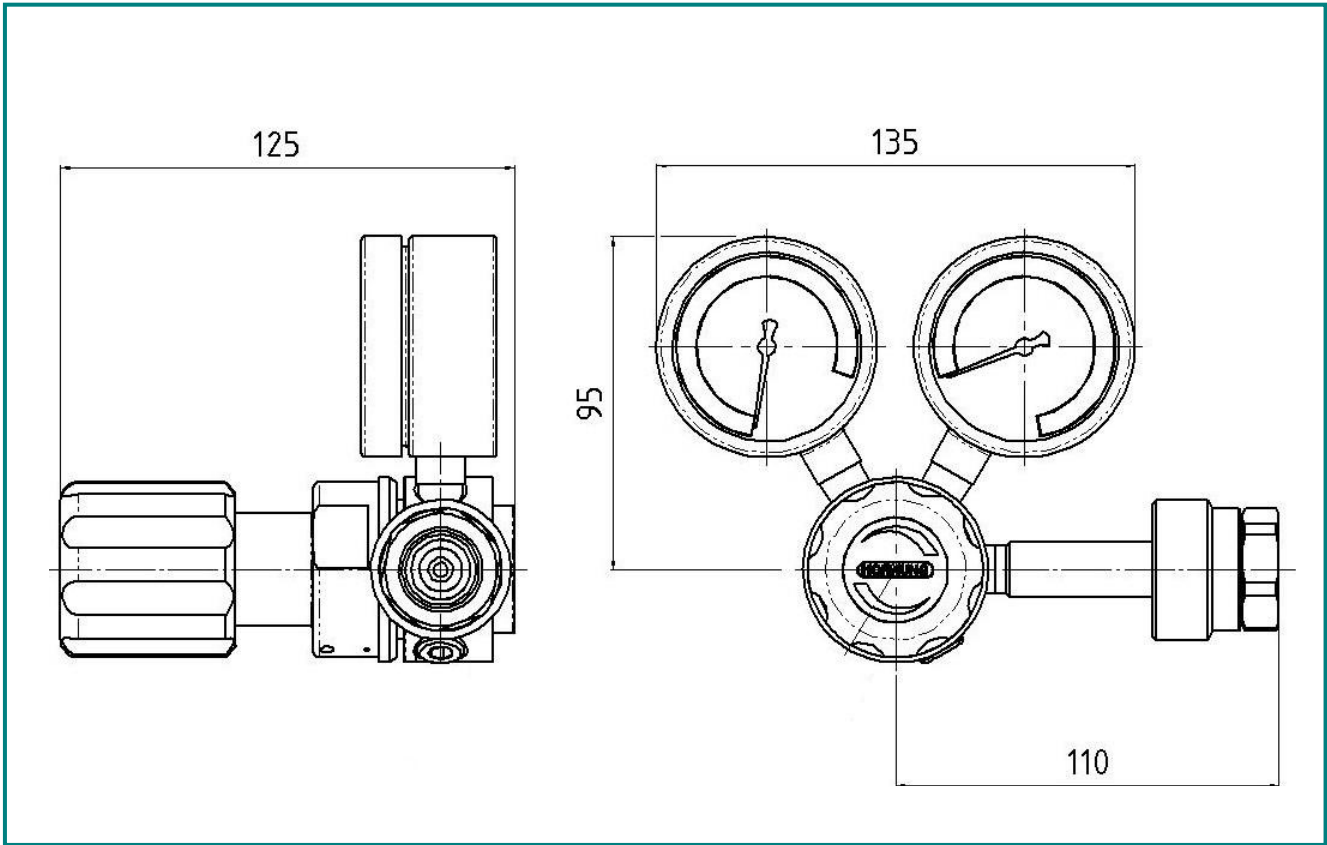
The company Horning is certified to
DIN EN ISO 9001

All single parts are manufactured, assembled and tested by in-house production.

The finished parts are therefore under the criteria of our German quality control system with 100% final inspection.

Ferdinand Horning GmbH & Co. KG
Rathenaustraße 55, 63263 Neu-Isenburg

Tel: (0 61 02) 78 83 - 70 www.horning.org
Fax: (0 61 02) 78 83 - 40 info@horning.org



Accessories:
See total catalogue segment

6. Gauges, screws, compression fittings,
 Cylinder holders and accessories

Ordering Informations:

Material:

- 1 = brass, nickel and matt chrome plated
- 2 = stainless steel

Gaskets:

- 1 = NBR
- 2 = Viton

Ordering example:

Regulator type	
50	HD400 FL

50-	1	1	Gasart
------------	----------	----------	---------------

Type Mat. Gasket gas type