

# Cylinder pressure regulator HD250 FL

- for high pressure applications



## Description:

HD250 FL is a single-stage pressure regulator made of brass, nickel and matt chrome plated or stainless steel 1.4404.

HD250 FL is designed as a piston pressure regulator and reduces the pressure of compressed gases to a maximum outlet pressure of 250 bar.

The pressure regulator will be fitted with gas specific connections to all common national standards.

## Application area:

This pressure regulator is designed for use with high inlet and high outlet pressures.

High pressure applications

The high-grade stainless steel construction with gaskets made of Viton compound permits the use of aggressive media with this pressure regulator

## Technical Details:

Body:	stainless steel 1.4404 electropolished or brass, nickel and matt chrome plated
Seat:	PCTFE
Gaskets:	Viton / NBR
Max. inlet pressure:	440 bar
Outlet pressure ranges:	5 - 250 bar 1 - 100 bar 1 - 50 bar
Operating temp.:	-20°C up to +70°C
Dimensions(wxhxd):	180 x 95 x 125
Weight:	1350g
Connections:	NPT ¼" f

## Horning Quality standard

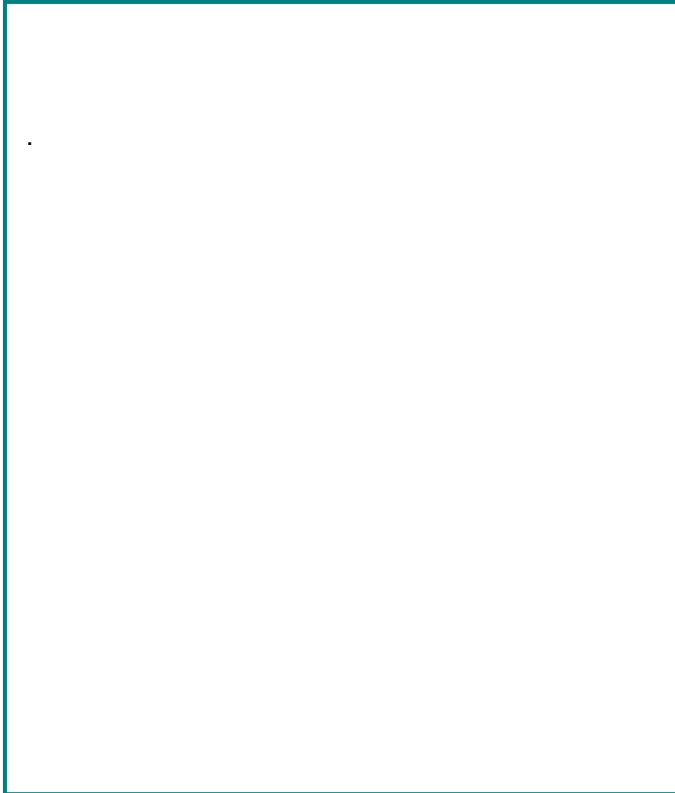
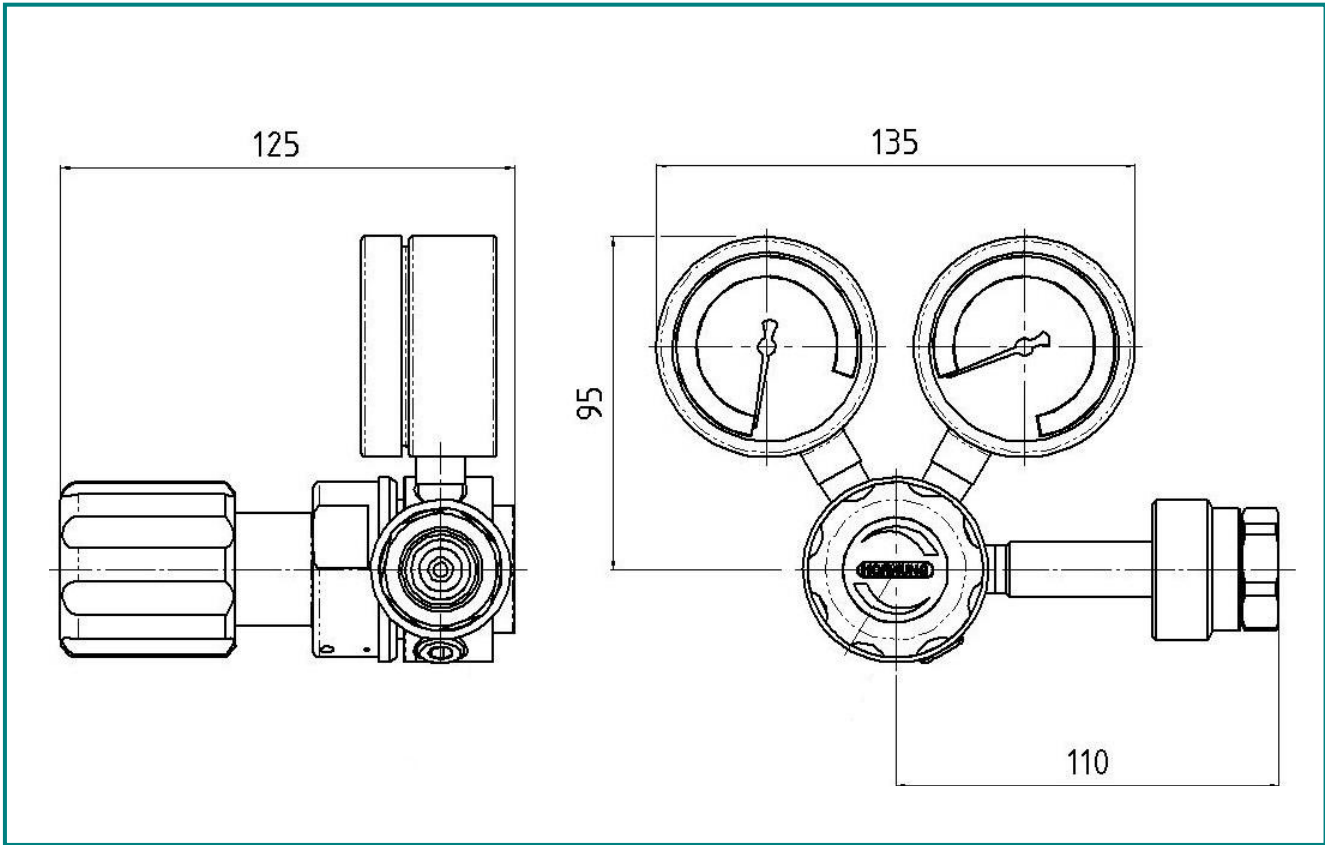
The company Horning is certified to  
**DIN EN ISO 9001**

All single parts are manufactured, assembled and tested by in-house production.

The finished parts are therefore under the criteria of our German quality control system with 100% final inspection.

Ferdinand Horning GmbH & Co. KG  
Rathenaustraße 55, 63263 Neu-Isenburg

Tel: (0 61 02) 78 83 - 70    www.horning.org  
Fax: (0 61 02) 78 83 - 40    info@horning.org



**Accessories:**  
 See total catalogue segment

6. Gauges, screws, compression fittings,  
 Cylinder holders and accessories

**Ordering Informations:**

- Material:**
- 1 = brass, nickel and matt chrome plated
  - 2 = stainless steel

- Gaskets:**
- 1 = NBR
  - 2 = Viton

- Inlet pressure:**
- 1 = 200 bar
  - 2 = 300 bar

- Outlet pressure range:**
- 1 = 5 – 250 bar
  - 2 = 1 – 100 bar
  - 3 = 1 – 50 bar

**Ordering example:**

Regulator type	
<b>34</b>	<b>HD250 FL</b>

<b>34-</b>	<b>1</b>	<b>1</b>	<b>2</b>	<b>1</b>	<b>Gasart</b>
------------	----------	----------	----------	----------	---------------

Type    Mat.    Gasket    Inlet    Outlet    gas type