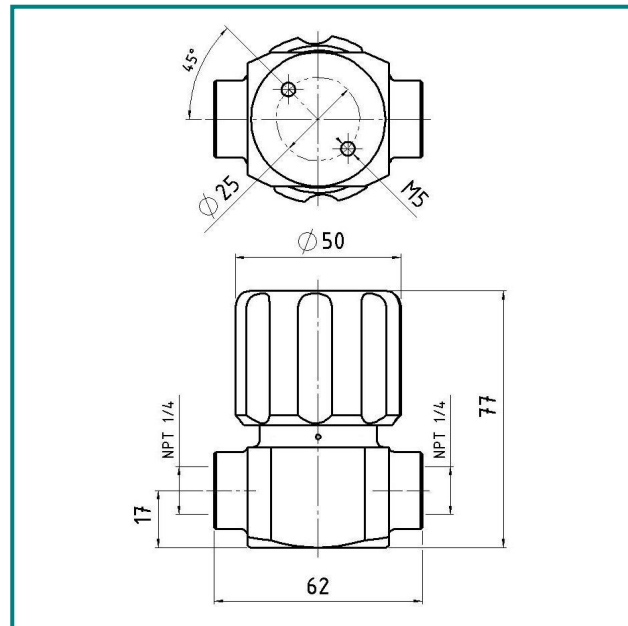


Diaphragm shut-off valve HP 552

Straight through valve with metal diaphragm DN 8 / PN 40



Description:

The diaphragm shut-off valve HP 552 is laid out for the use in pure gas supply systems. The diaphragm shut-off valve has an inlet and an outlet. Threaded holes on the reverse side connect to a bracket that can be directly mounted on a laboratory wall.

Application area:

Diaphragm shut-off valves are system components used in low pressure pure gas supply.

Accessories:

See total catalogue segment

7. Accessories

Ordering information:

Material: 1 = Stainless steel
2 = Brass

Inlet/outlet: 1 = 1/4" NPT
2 = 3/8" NPT

HP552-	2	Gas
--------	---	-----

Type Material Gas type

Technical details:

Body: stainless steel 1.4404
electropolished or
brass, nickel and
matt chrome plated

Seat: PCTFE

Nominal bore: 8 mm

Diaphragm: 1.4435

Leakage rate: 10^{-8} mbar l/s He
Helium leak test

Gas purity: ≤ 6.0

Cv: 0,5

Max. Pressure: 40 bar

Operating temp.: -20 °C to +70 °C

Weight: 600g

Connections: G 1/4" f or G3/8" f

Hornung Quality standard

The company Hornung is certified to
DIN EN ISO 9001

All single parts are manufactured, assembled and tested by in-house production. The finished parts are therefore under all criteria of German quality control with 100% final inspection.

Ferdinand Hornung GmbH & Co. KG
Rathenaustraße 55, 63263 Neu-Isenburg

Tel: (0 61 02) 78 83 - 70 www.hornung.org
Fax: (0 61 02) 78 83 - 40 info@hornung.org