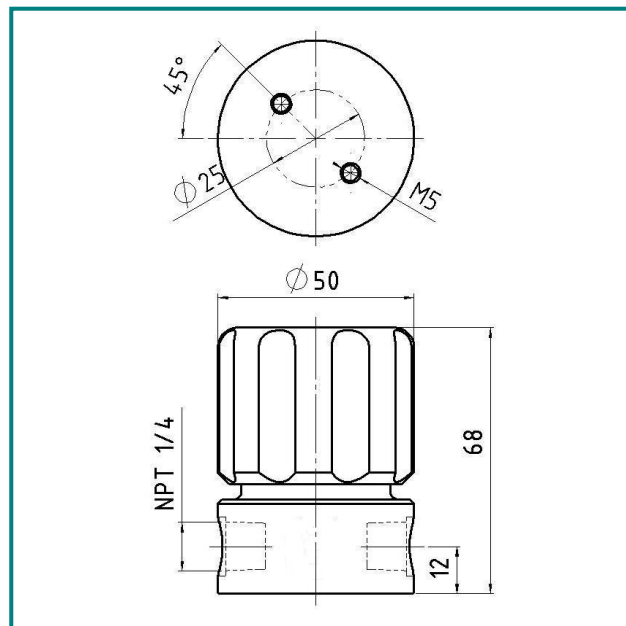
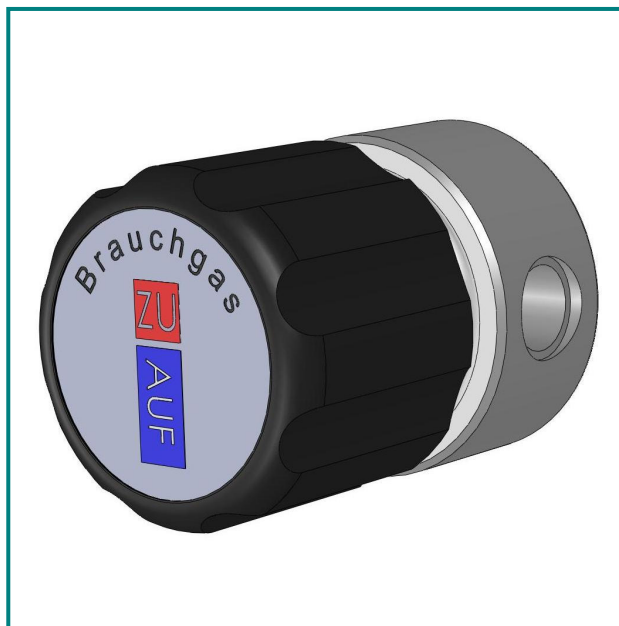


Diaphragm shut-off valve HP 551

Straight through valve 2 port with metal diaphragm DN 4 / PN 300



Description:

The diaphragm shut-off valve HP 551 is laid out for the use in pure gas supply systems. The diaphragm shut-off valve has an inlet and an outlet. Threaded holes on the reverse side connect to a bracket that can be directly mounted on a laboratory wall.

Application area:

Diaphragm shut-off valves are system components used in low and high pressure pure gas supply.

Accessories:

See total catalogue segment

7. Accessories

Ordering information:

Material:

- 1 = Stainless steel
- 2 = Brass

HP551-	2	Gas
--------	---	-----

Type Material Gas type

Technical details:

Body:	stainless steel 1.4404 electropolished or brass, nickel and matt chrome plated
Seat:	PCTFE
Nominal bore:	4 mm
Diaphragm:	1.4435
Leakage rate:	10^{-8} mbar l/s He Helium leak test
Gas purity:	≤ 6.0
Cv:	0,15
Max. Pressure:	300 bar
Operating temp.:	-20°C to +70°C
Weight:	610g
Connections:	G 1/4" f

Hornung Quality standard

The company Hornung is certified to
DIN EN ISO 9001

All single parts are manufactured, assembled and tested by in-house production. The finished parts are therefore under all criteria of German quality control with 100% final inspection.

Ferdinand Hornung GmbH & Co. KG
Rathenaustraße 55, 63263 Neu-Isenburg

Tel: (0 61 02) 78 83 - 70 www.hornung.org
Fax: (0 61 02) 78 83 - 40 info@hornung.org