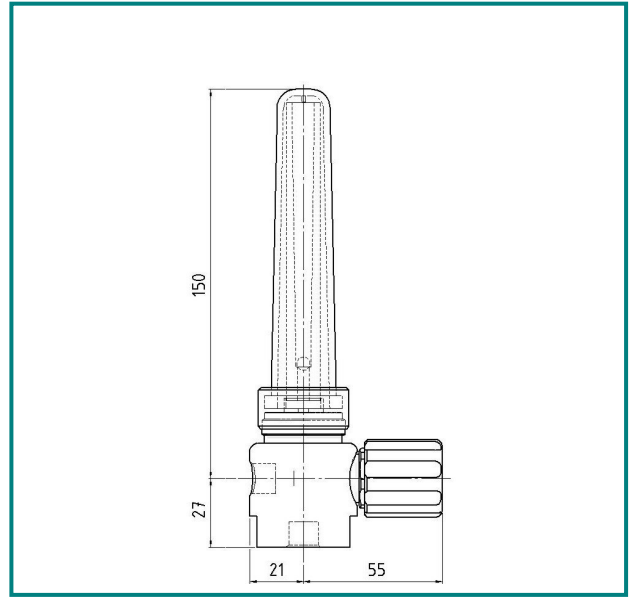


Flowmeter HP 504



Description:

The flow meter HP 504 in stainless steel 1.4404 or Brass consists of a flow measurer and a dosage valve a floating body in the measuring tube shows the flow rate on a scale..

Application area:

HP 504 is designed for low pressure use. It is used where an exact dosage and reading of this dosage on a scale is required. It can be combined with our cylinder regulators and gas supply stations.

Accessories:

See total catalogue segment

9. Gauges, Screw connections and accessories

Order details:

Material:

HP504 = St.steel
HP504MS = Brass

Option:

03 = Olive joint screw 3mm
06 = Olive joint screw 6mm
08 = Olive joint screw 8mm
10 = Olive joint screw 10mm

HP504	- 03	- Gasart
Type	Option	Gas type

Technical details:

Housing:	St.steel 1.4404 electro polished or Brass, Nickel & matt Chrome plated
Gasket:	Viton
Leakage rate:	10 ⁻⁶ (mbar l/s) Helium leakage test
Gas purity:	≤ 6.0
Max. Inlet pressure:	4 bar
Flow:	Dependant on gas type and measurement tube
Operating temp.:	-20°C to +70°C
Weight:	570g
Connections:	Inlet G 1/4" f Outlet G 1/4" f

Hornung Quality standard

The company Hornung is certified to **DIN EN ISO 9001**

All single parts are manufactured, assembled and tested in house.

The finished parts are therefore under the criteria of our exact quality control with 100% final control.