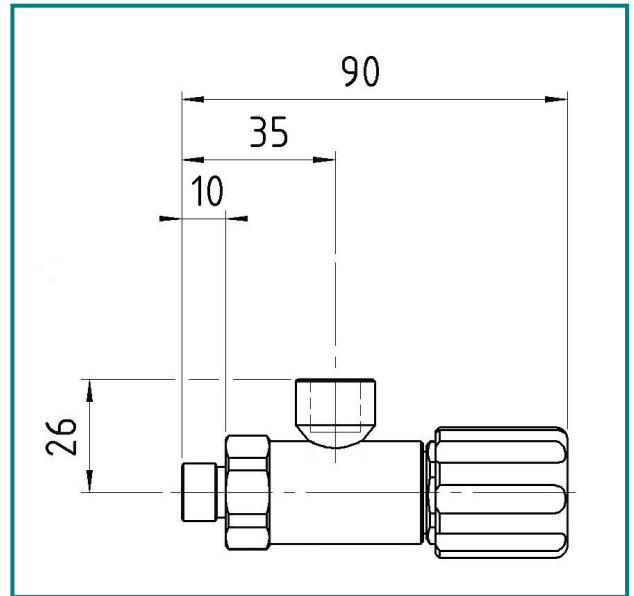


Diaphragm dosage valve HP 503



Description:

The diaphragm dosage valve HP 503 serves the precise dosage of small gas flows.

Application area:

The HP 503 is a system component for low pressure. It is used where the exact dosage of the flow is required. It can be combined with our cylinder pressure regulators and gas supply stations.

Accessories:

See total catalogue segment

9. Gauges, Screw connections and accessories

Order details:

Material:

HP503 = St. steel

HP503MS = Brass

Option:

03 = Olive joint screw 3mm

06 = Olive joint screw 6mm

08 = Olive joint screw 8mm

10 = Olive joint screw 10mm

HP503	- 03	Gas
Type	Option	Gas type

Technical details:

Housing: St. steel 1.4404 electro polished or Brass, Nickel & matt Chrome plated

Seal: SS hardened

Diaphragm: 1.4435

Leakage rate: 0^{-8} (mbar l/s)
Helium leakage test

Gas purity: ≤ 6.0

Max. Pressure: 50 bar

Maximum flow: 22 m³/h

Operating temp.: -20°C to +70°C

Weight: 240g

Connections: Inlet G 1/4" m
Outlet G 1/4" f

Horning Quality standard

The company Horning is certified to **DIN EN ISO 9001**

All single parts are manufactured, assembled and tested in house.

The finished parts are therefore under the criteria of our exact quality control with 100% final control.