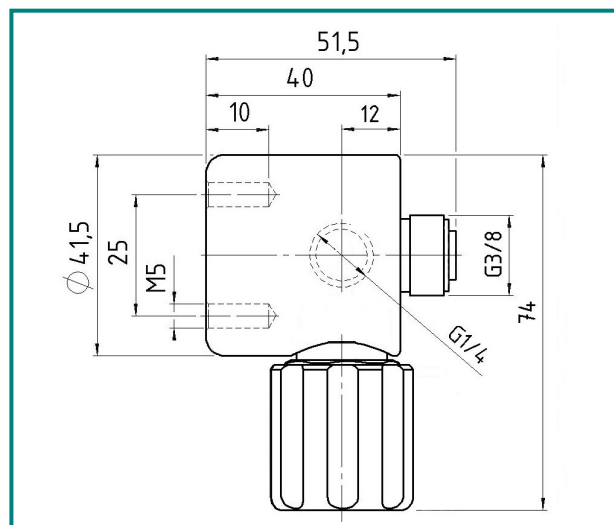
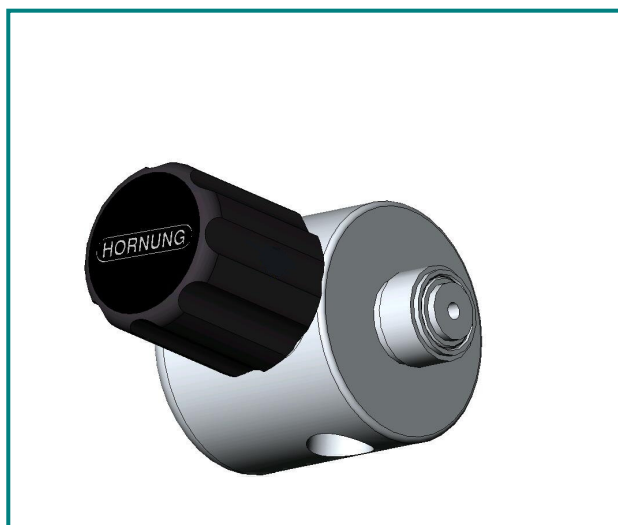


# Diaphragm shut-off valve HP 501



## Description:

The 90° shut-off valve HP 501 is a shut-off for gas supply stations.

## Application area:

The HP 501 is a shut-off valve for system applications and is used with the pressure regulator HP 410 as supply station for Laboratory benches and laboratory walls. The gas supply to the valve can be either from above, left or right. Holes on the reverse side of the valve allow it, with the console accessory, to be mounted on the laboratory wall.

## Accessories:

### See total catalogue segment

9. Gauges, Screw connections and accessories

## Bestellangaben:

### Material:

HP501 = St. steel  
HP501MS = Brass

### Option:

06 = Olive joint screw 6mm  
08 = Olive joint screw 8mm  
10 = Olive joint screw 10mm

HP501	- 08	Gasart
Type	Option	Gas type

## Technical details:

Housing:	St. steel 1.4404 electro polished or Brass, Nickel & matt Chrome plated
Gasket:	PCTFE
Diaphragm:	1.4435
Leakage rate:	0 <sup>-8</sup> (mbar l/s) Helium leakage test
Gas purity:	≤ 6.0
Max. Pressure:	40 bar
Operating temp.:	-20 °C to +70 °C
Weight:	240g
Connections:	Inlet G 1/4" f Outlet G3/8" m

## Horning Quality standard

The company Horning is certified to  
**DIN EN ISO 9001**

All single parts are manufactured, assembled and tested in house.

The finished parts are therefore under the criteria of our exact quality control with 100% final control.