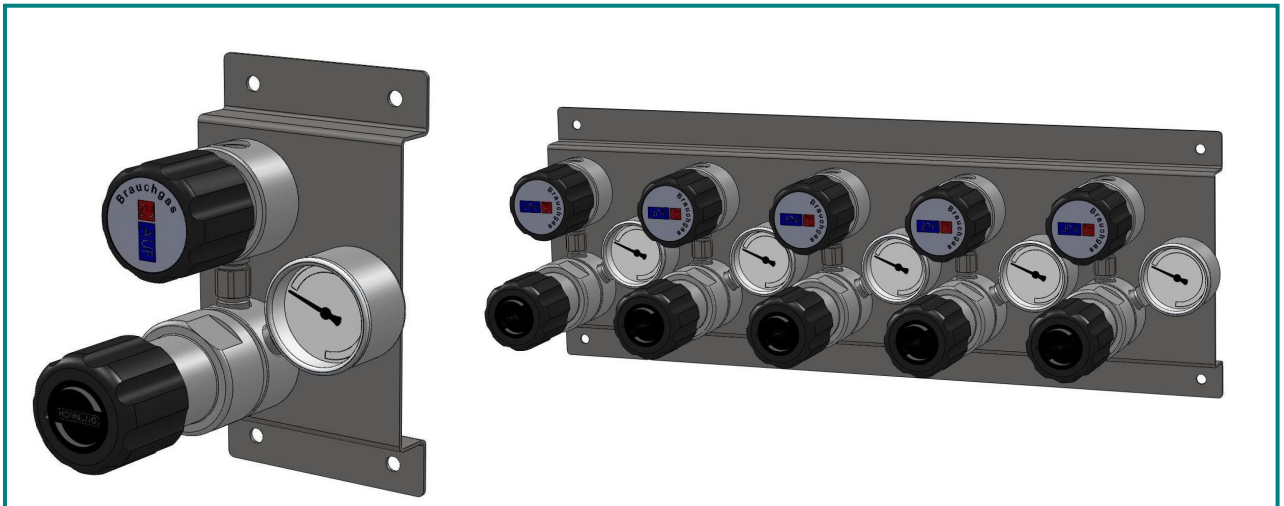


Point of use regulator HP 450 Frontline

Wall mounting V-Version (system version)



Description:

The point of use regulator HP 450 is an system wall Version.
The point of use regulator is ready mounted on a console and is connected to a permanently laid piping system.
It serves as a second stage and reduces the line pressure to an adjustable working pressure.

1 to 5 regulators with a modular dimension of 100mm can be collectively mounted on one bracket.

The HP 450 point of use regulator is fitted with a diaphragm shut-off valve, pressure regulator with pressure gauge as standard.

Application area:

Especially for gases with high requirements on purity to 6.0. Secure and leak proof. Through our special cleaning system our pressure regulators are suitable for ECD – applications.

The point of use regulator HP 450 is also suitable for acetylene with the use of a corresponding flash-back arrestor to EN730.

Technical details:

Body:	Stainless steel 1.4404 electro polished or brass, nickel and matt chrome plated
Seat:	PCTFE
Diaphragm:	1.4435
Leakage rate: Against atmosphere	10^{-8} mbar l/s Helium
Gas purity:	≤ 6.0
Max. inlet pressure:	300 bar
Outlet pressure ranges:	0,1–1; 0,1–3; 1–6; 1–12 bar
Operating temp.:	-20 °C to +70 °C
Gauges:	Safety version to: EN 837-1 KL1,6
Weight:	3050g
Connections:	Inlet NPT 1/4" f Outlet NPT 1/4" f

Hornung Quality standard

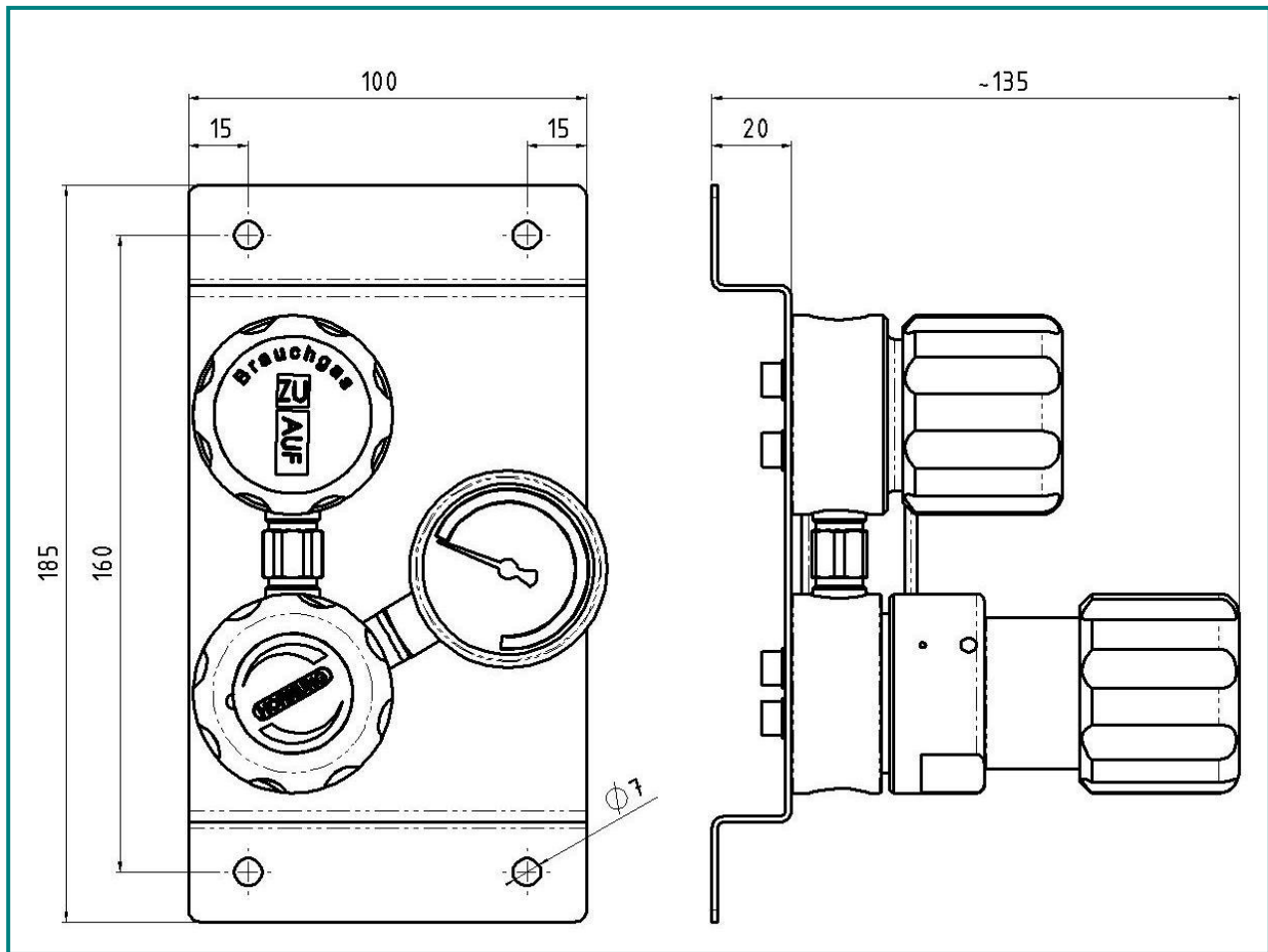
The company Hornung is certified to **DIN EN ISO 9001**

All single parts are manufactured, assembled and tested by in-house production.

The finished parts are therefore under all criteria of German quality control with 100% final inspection.

Ferdinand Hornung GmbH & Co. KG
Rathenaustraße 55, 63263 Neu-Isenburg

Tel: (0 61 02) 78 83 - 70 www.hornung.org
Fax: (0 61 02) 78 83 - 40 info@hornung.org



Accessories:

See total catalogue segment

- 5. Diaphragm shut-off und dosage valves
- 6. Accessories

Scope of supply:

Cylinder station with outlet gauge, Shut-off valve for process gas. Completely mounted on a wall console out of stainless steel.

Without compression fittings.

Ordering information:

Material:

- 1 = Stainless steel
- 2 = Brass

Point of use regulator:

- 1 = 1-fold
- 2 = 2-fold
- 3 = 3-fold
- 4 = 4-fold
- 5 = 5-fold

Outlet pressure:

- 1 = 0,1 - 1 bar
- 2 = 0,1 - 3 bar
- 3 = 1 - 6 bar
- 4 = 1 - 12 bar

Options on the outlet side:

- 1 = NPT $\frac{1}{4}$ "f
- 2 = compression fitting 6mm

HP450-	2	1	3	1	Gas
Type	Mat.	Reg.	P2 Option	Gas type	