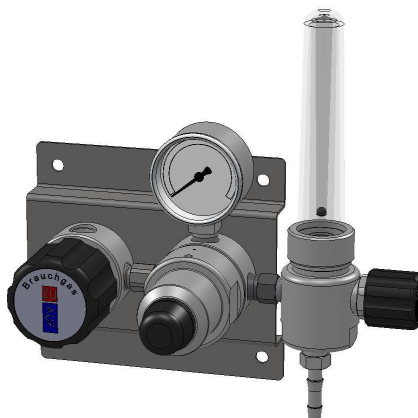


Point of use regulator HP HP 456 Frontline

Wall mounted regulator with flowmeter (system version)



Description:

The HP 454 point of use regulator is fitted with a diaphragm shut-off valve, single stage pressure regulator and a flow measurer and a dosage valve

The point of use regulator HP 456 is an system wall Version.

The point of use regulator is ready mounted on a console and is connected to a permanently laid piping system.

It serves as a second stage and reduces the line pressure to an adjustable working pressure.

A floating body in the measuring tube shows the flow rate on a scale

Application area:

The HP 456 is designed for low pressure use. It is used where an exact dosage and reading of this dosage on a scale is required.

Especially for gases with high requirements on purity to 6.0. Secure and leak proof. Through our special cleaning system our pressure regulators are suitable for ECD – applications.

Technical details:

Housing:	St. steel 1.4404 electro polished or Brass, Nickel & matt Chrome plated
Seat:	PCTFE
Diaphragm:	1.4435
Leakage rate:	10^{-6} (mbar l/s) Helium leakage test
Gas purity:	≤ 6.0
Max. Inlet pressure:	4 bar
Flow:	Dependant on gas type and measurement tube
Gauges:	Safety version to: EN 837-1 KL1,6
Operating temp.:	-20 °C to +70 °C
Weight:	570g
Connections:	Inlet G 1/4" f Outlet G 1/4" f

Hornung Quality standard

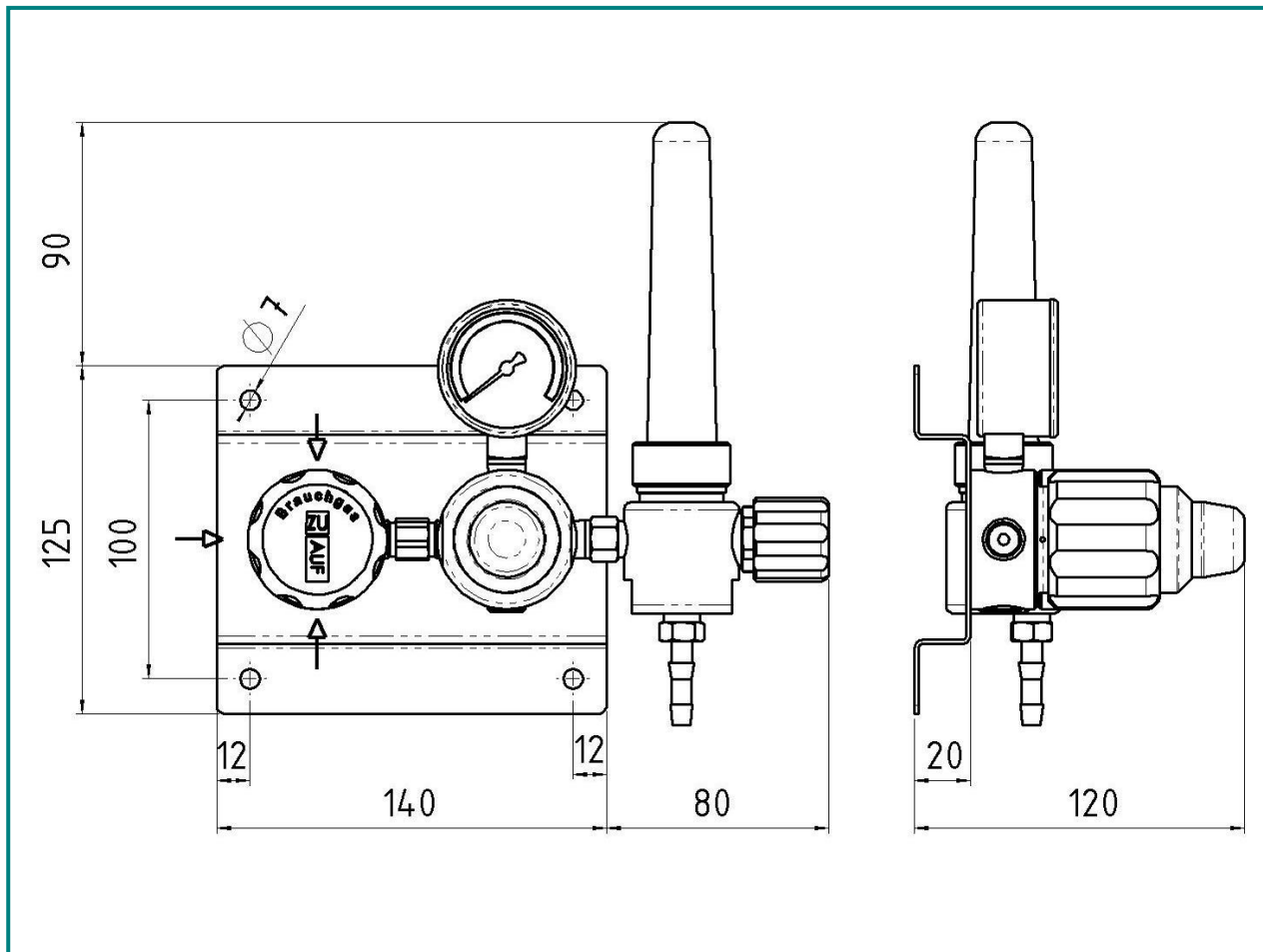
The company Hornung is certified to
DIN EN ISO 9001

All single parts are manufactured, assembled
and tested by in-house production.

The finished parts are therefore under all
criteria of German quality control with 100%
final inspection.

Ferdinand Hornung GmbH & Co. KG
Rathenaustraße 55, 63263 Neu-Isenburg

Tel: (0 61 02) 78 83 - 70 www.hornung.org
Fax: (0 61 02) 78 83 - 40 info@hornung.org



Accessories:

See total catalogue segment

6. Accessories

Scope of supply:

Cylinder station with outlet gauge, Shut-off valve for process gas.
Flowmeter with dosage valve,
Completely mounted on a wall console out of stainless steel.

Without compression fittings.

Ordering information:

Material:

- 1 = Stainless steel
- 2 = Brass

Outlet pressure p2:

- 1 = 1,0 bar fixed
- 2 = 2,5 bar fixed
- 3 = 1 - 6 bar adjustable

Options on the outlet side:

- 1 = NPT $\frac{1}{4}$ "f
- 2 = compression fitting 6mm

HP456-	2	3	1	Gas
--------	---	---	---	-----

Type Mat. P2 Option Gas type