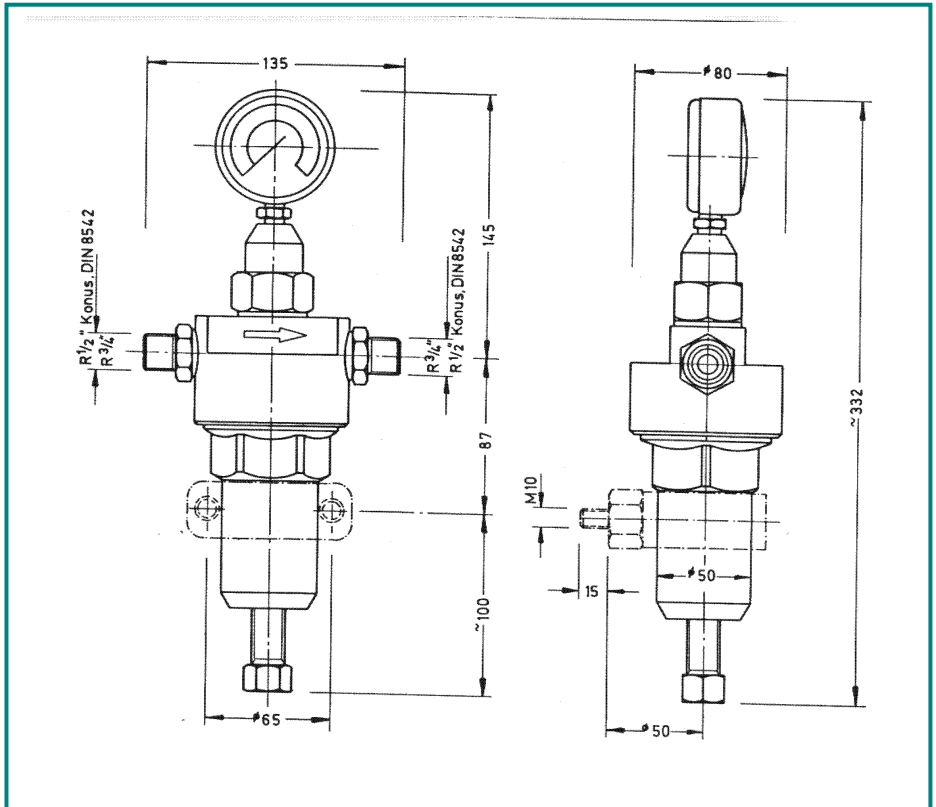
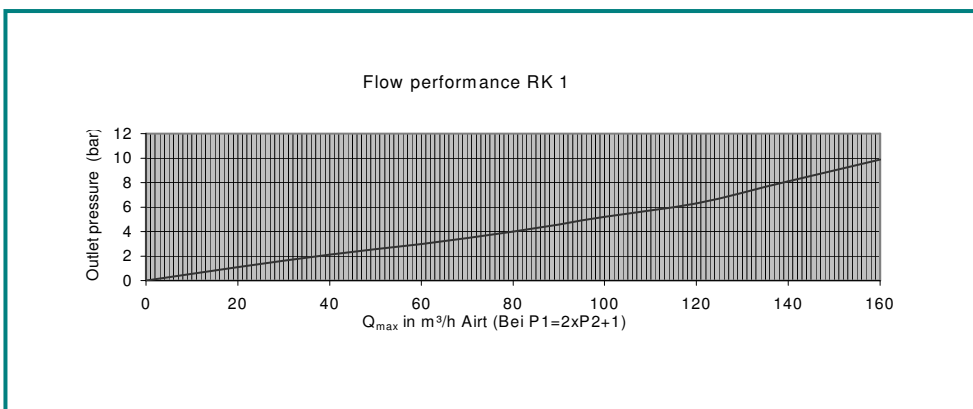


Line pressure regulator RK 1



Model	Gas	Inlet pressure P1	Outlet pressure P2	Flow Q1	Inlet connection	Outlet connection
RK 1	F, NF, NC, C, T	max. 35 bar	max. 30 bar	200 m ³ /h Air	G 1/2 DIN EN 560	G 1/2 DIN EN 560



The pressure regulator RK 1 is for the installation in line systems with large gas flows. For example flame cutting installations. The RK 1 is in brass for flammable and non-flammable gases as well as stainless steel for corrosive gases.

The RK 1 regulator can be supplied with an outlet manometer or safety valve. A bracket for wall mounting is also available.