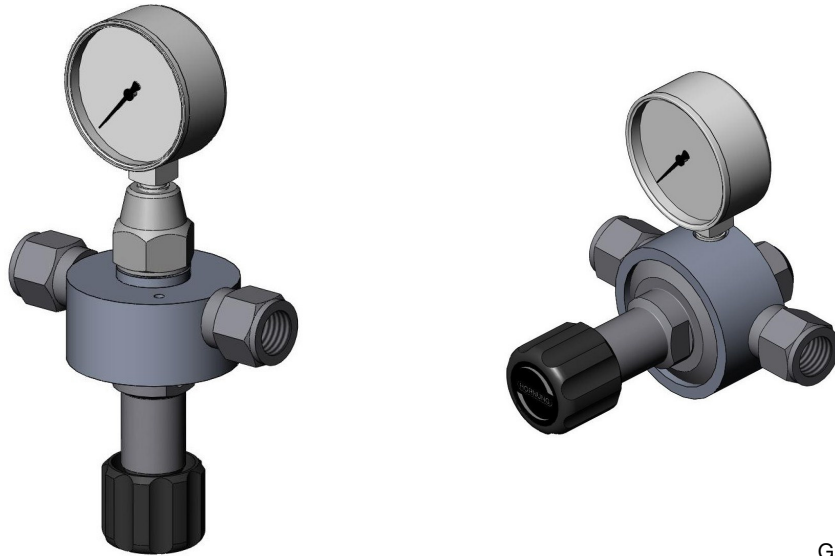


# Line pressure regulator PR5 / VA



Gauge optional

## Description:

The pressure regulator PR5/VA is a single stage line pressure regulator in Stainless steel. In the standard configuration the regulator is fitted with a stainless steel diaphragm. The regulator can also be fitted with an optional outlet gauge.

## Application area:

The PR5 in Stainless steel is suited for the use with corrosive and technical gases and liquids.

We urgently recommend the connection of a fine filter, with at least 40 $\mu$ , before the pressure regulator, as well as to protect following components with suitable relief valves against unduly high pressures.

## Technical details:

Housing:	St. steel 1.4404 electro polished
Gasket:	Viton
Diaphragm:	1.4435
Max. Inlet pressure:	35 bar
Regulating area:	0,1 - 30 bar
Operating temp.:	-20 °C bis +70 °C
Size (WxHxD):	
Configuration 1.	130 x 145 x 140
Configuration 1.	130 x 226 x 70
Weight:	1350g
Connections:	G1/4 f – G3/4 f DIN EN 560

## Hornung Quality standard

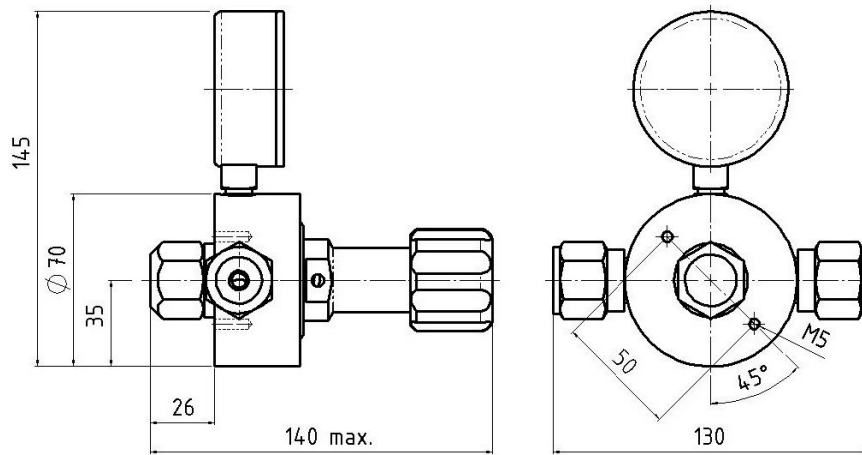
The company Hornung is certified to  
**DIN EN ISO 9001**

All single parts are manufactured, assembled and tested in house.

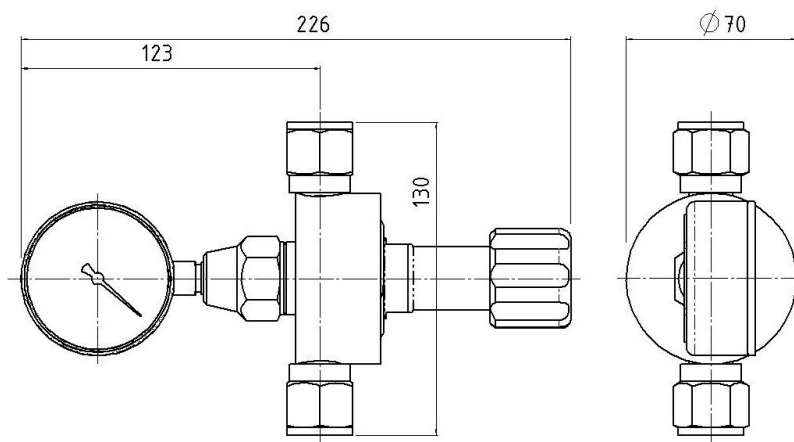
The finished parts are therefore under the criteria of our exact quality control with 100% final control.

Ferdinand Hornung GmbH & Co. KG  
Rathenaustraße 55, 63263 Neu-Isenburg

Tel: +49 (0) 61 02 78 83 - 70   www.hornung.org  
Fax: +49 (0) 61 02 78 83 - 40   info@hornung.org

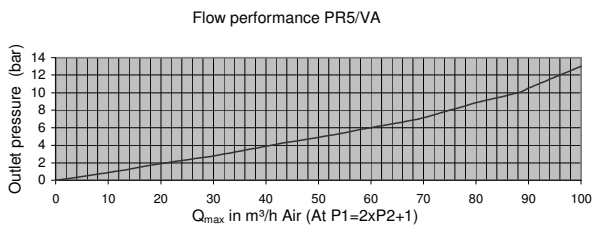


**Configuration 1**



**Configuration 2**

**Flow performance PR5/VA**



**Accessories:**

See total catalogue segment

Gauges, Tube fittings, accessories. Safety valve available on request.

Fine filter F2 (See Data sheet)

**Order details:**

**Configuration:**

- 1 = Horizontal
- 2 = Vertical

**Gauge:**

- 1 = Without gauge
- 2 = With gauge

**Pressure area:**

- 1 = 0,1 - 1 bar
- 2 = 0,1 - 2,5 bar
- 3 = 1 - 6 bar
- 4 = 1 - 10 bar
- 5 = 1 - 16 bar
- 6 = 1 - 30 bar

**Option for inlet and outlet:**

- 1 = G1/4" f
- 2 = G3/4" f

**Order example:**

35-	1	2	2	1	Gas
-----	---	---	---	---	-----

Type Config. Gauge. Pressure. Opt. Gas