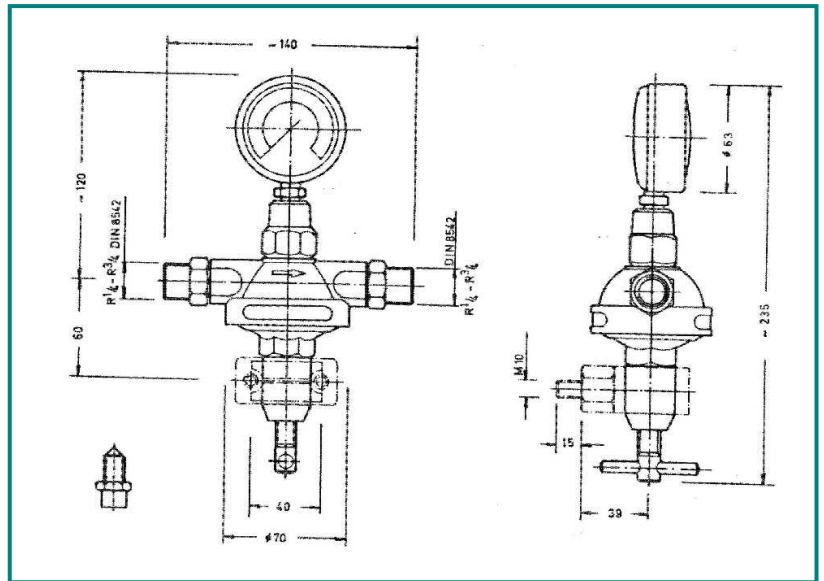
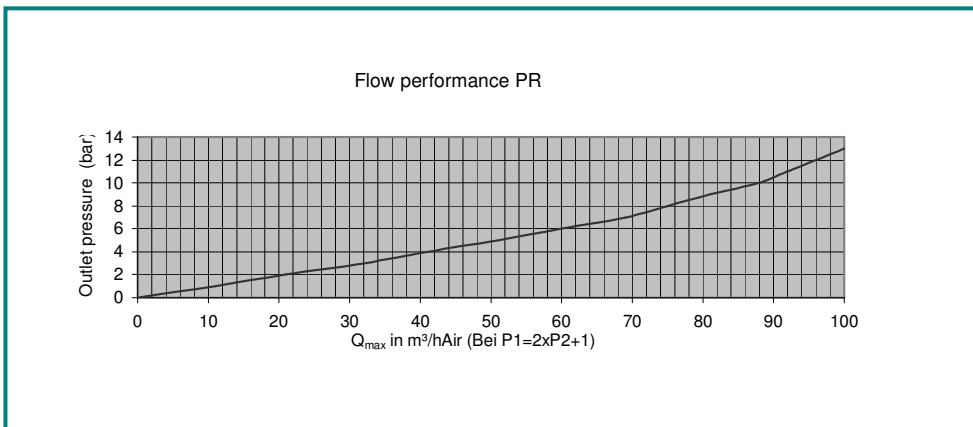


# Line pressure regulator PR



Model	Gas	Inlet pressure P <sub>1</sub>	Outlet pressure P <sub>2</sub>	Flow Q <sub>1</sub>	Inlet connection	Outlet connection
PR 2	F, NF, NC	max. 200 bar	max. 30 bar	15 – 150 m <sup>3</sup> /h Air	G <sup>1</sup> / <sub>4</sub> - G <sup>1</sup> / <sub>2</sub> DIN EN 560	G <sup>1</sup> / <sub>4</sub> - G <sup>3</sup> / <sub>4</sub> DIN EN 560
PR 3/5/7	F, NF, NC	max. 35 bar	max. 30 bar	15 – 150 m <sup>3</sup> /h Air	G <sup>1</sup> / <sub>4</sub> - G <sup>3</sup> / <sub>4</sub> DIN EN 560	G <sup>1</sup> / <sub>4</sub> - G <sup>3</sup> / <sub>4</sub> DIN EN 560



The PR regulator can be supplied with an outlet manometer or safety valve. A bracket for wall mounting is also available.