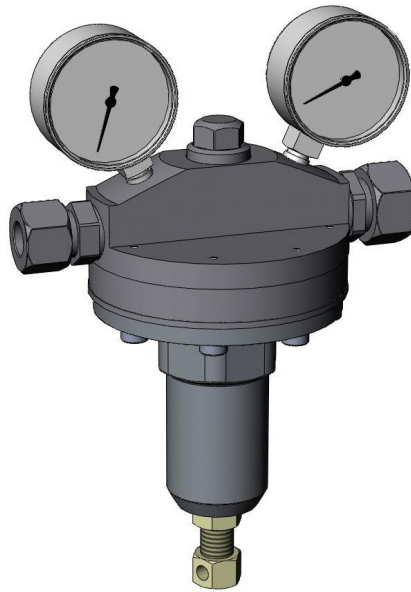


Line pressure regulator PFR 7



Tube fittings optional

Description:

The pressure regulator PFR 7 is for the installation in line systems with large gas flows. The line pressure-regulator L1 is characterised by an accurate regulation and a large throughput.

The spring-loaded pressure-regulator works according to the principle of the force equilibrium between the adjusted spring action and the outlet pressure.

It can be equipped optionally with an inlet and an outlet gauge.

Design:

The use of stainless steel in connection with Elastomere made of Viton permits the application of this pressure-regulator with aggressive media.

Through the large effective diaphragm surface, at low pressure variant, optimal controllability is guaranteed.

We urgently recommend the connection of a fine filter, with at least 40 μ , before the pressure regulator, as well as to protect following components with suitable relief valves against unduly high pressures.

Technical details:

Material:	Brass or St. steel
Valve seat:	$\varnothing 7,0$
Seat:	EPDM or Viton
Diaphragm:	EPDM or Viton
Max. Inlet pressure:	100 bar
Regulating area:	0,1 – 2,5 bar 1 – 6 bar 1 – 10 bar 1 – 16 bar
Operating temp.:	-20°C to +60°C
Size (WxHxD):	192 x 290 x 125
Connections:	Eingang- G1/2 f Ausgang- G3/4 f

Hornung Quality standard

The company Hornung is certified to **DIN EN ISO 9001**

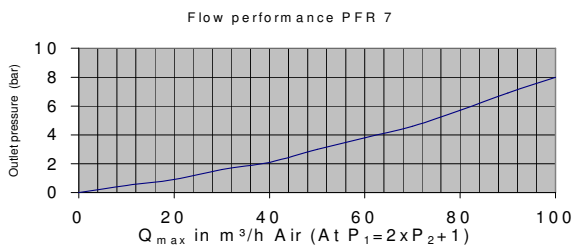
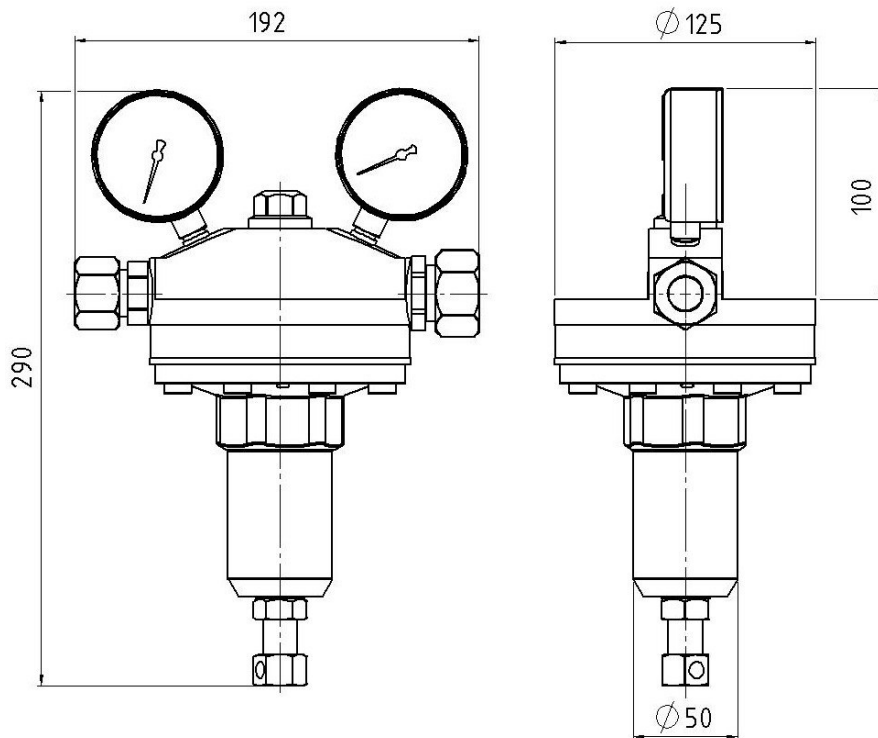
All single parts are manufactured, assembled and tested in house.

The finished parts are therefore under the criteria of our exact quality control with 100% final control.

Ferdinand Hornung GmbH & Co. KG
Rathenaustraße 55, 63263 Neu-Isenburg

Tel: +49 (0) 61 02 - 78 83 - 70
Fax: +49 (0) 61 02 - 78 83 - 40

www.hornung.org
info@hornung.org



Accessories:

Gauges, Tube fittings for inlet and outlet und accessories, Wall mounting bracket, safety valve available on request

Order details:

Material:

- 1 = Brass
- 2 = Stainless steel

Daiphragm:

- 1 = EPDM
- 2 = Viton

Gauge:

- 1 = None
- 2 = Inlet and outlet gauges

Pressure area:

- 1 = 0,1 - 2,5 bar
- 2 = 1 - 6 bar
- 3 = 1 - 10 bar
- 4 = 1 - 16 bar

Order example:

Regulator type	
41	PFR 7

41-	2	2	2	4	Medium
------------	----------	----------	----------	----------	---------------

Type Material Diaph. Gauge Pressure Medium