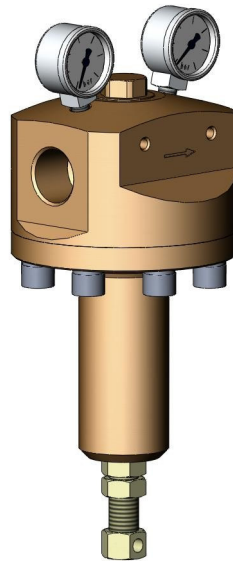


Line pressure regulator L1



Gauges optional

Description:

The line pressure-regulator L1 is characterised by an accurate regulation and a large throughput. The spring-loaded pressure-regulator works according to the principle of the force equilibrium between the adjusted spring action and the outlet pressure.

It can be equipped optionally with an inlet and an outlet gauge.

Design:

A large independence from fluctuations is reached with a balanced poppet.

The use of high-grade steel in connection with Elastomere made of Viton permits the application of this pressure-regulator with aggressive media. Through different effective diaphragm surfaces, by low and with the high pressure variant, optimal controllability is guaranteed.

Technical details:

Material:	Brass or St. steel
Ventilsitz:	Ø 10,0 (Balanced) Ø 12,7 (Balanced)
Kv-value:	1,2 (Ø 10,0)
Kv-value:	2,6 (Ø 12,7)
Seat:	EPDM or Viton
Diaphragm:	EPDM or Viton
Max. Inlet pressure:	210 bar
Regulating area:	0,5 – 20 bar 1,0 - 70 bar
Operating temp.:	-20°C bis +60°C
Size:	Ø125 x 236
Weight:	8,1kg
Connections:	In / Outlet G 1 Gauges G1/4

Hornung Quality standard

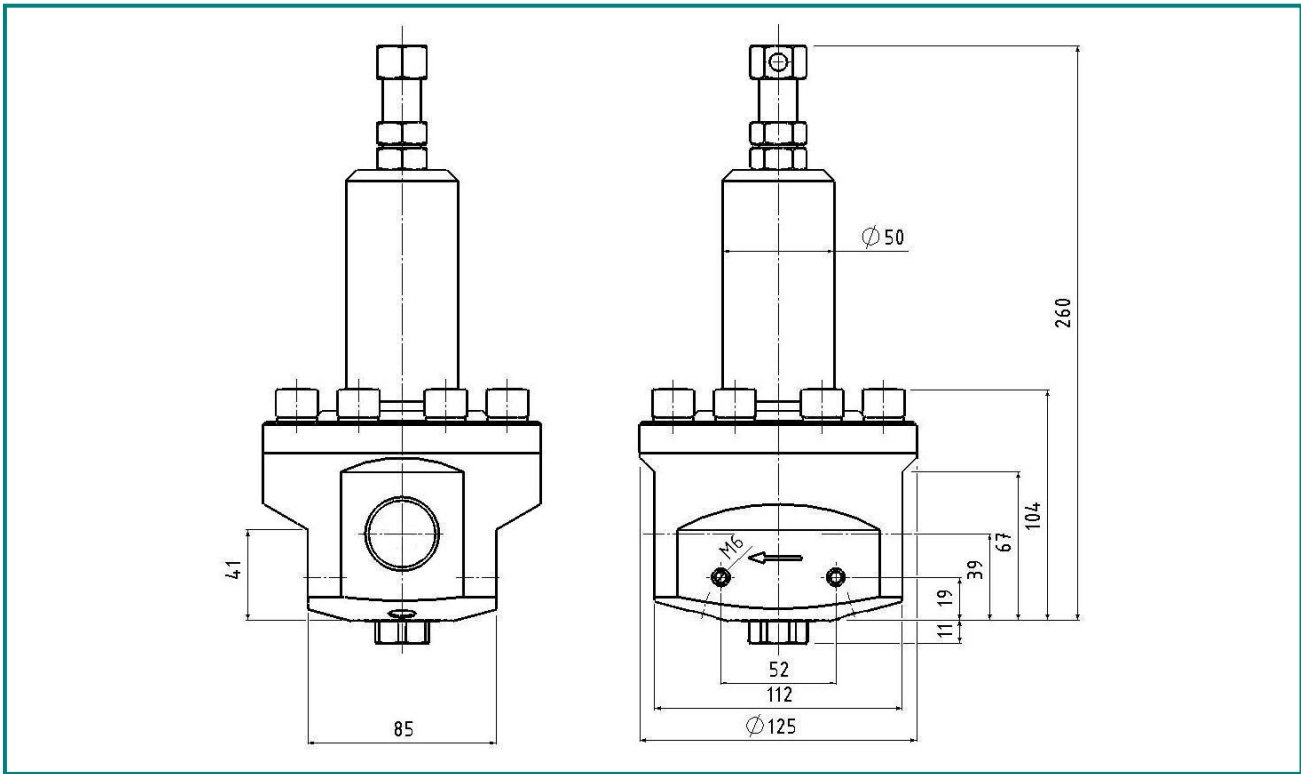
The company Hornung is certified to **DIN EN ISO 9001**

All single parts are manufactured, assembled and tested in house.

The finished parts are therefore under the criteria of our exact quality control with 100% final control.

Ferdinand Hornung GmbH & Co. KG
Rathenaustraße 55, 63263 Neu-Isenburg

Tel: (0 61 02) 78 83 - 70 www.hornung.org
Fax: (0 61 02) 78 83 - 40 info@hornung.org



Application area:

Dependent on the materials used, this pressure-regulator is applicable for different gases and liquids

We urgently recommend the connection of a fine filter, with at least 40µ, before the pressure regulator, as well as to protect following components with suitable relief valves against unduly high pressures.

Order details:

Material:

- 1 = Brass
- 2 = Stainless steel

Seat:

- 1 = Ø 10,0 (Balanced)
- 2 = Ø 12,7 (Balanced)

Diaphragm:

- 1 = EPDM
- 2 = Viton

Outlet pressure:

- 1 = 20 bar
- 2 = 70 bar

Gauges:

- 0 = None
- 1 = Inlet and outlet gauges

Option at Inlet / Outlet

- 0 = G1" Internal thread
- 1 = Flange DN25-PN40-Form C

Order example:

Regulator type	1-stage
24	L1

24	- 1	1	1	2	1	0	Medium
----	-----	---	---	---	---	---	--------

Type Mat. Seat Diaph. Pressure Gauge Option Medium

Accessories:

Gauges, Tube fittings und accessories, Flanges, Fine filter F1 (see Data sheet), Safety valves available on request