

Line pressure regulator HD400



Description:

The Line pressure regulator HD400 is a single-stage pressure-regulator made of high-grade steel 1.4404 or brass nickel and mat chrome plated.

The HD400 is designed as a piston pressure-regulator and reduces the pressure of compressed gases or liquids to a maximum outlet pressure of 400 bar.

It works according to the principle of the force equilibrium between the adjusted spring action and the outlet pressure.

Design:

This pressure regulator is designed for use with high inlet and outlet pressures.

The inlet and outlet of the regulator is equipped as standard with NPT 1/4" internal threads.

The regulator can be equipped optionally with an inlet and an outlet gauge.

Technical details:

Material:	Brass Nickel plated or St-steel
Seat:	PCTFE
Elastomere:	Viton / Perbunan
Max. inlet pressure:	440 bar
Regulating area:	10 – 400 bar
Operating temp.:	-20°C to +70°C
Size (WxHxD):	131 x Ø53
Weight:	865g
Connections:	NPT 1/4" f

Hornung Quality standard

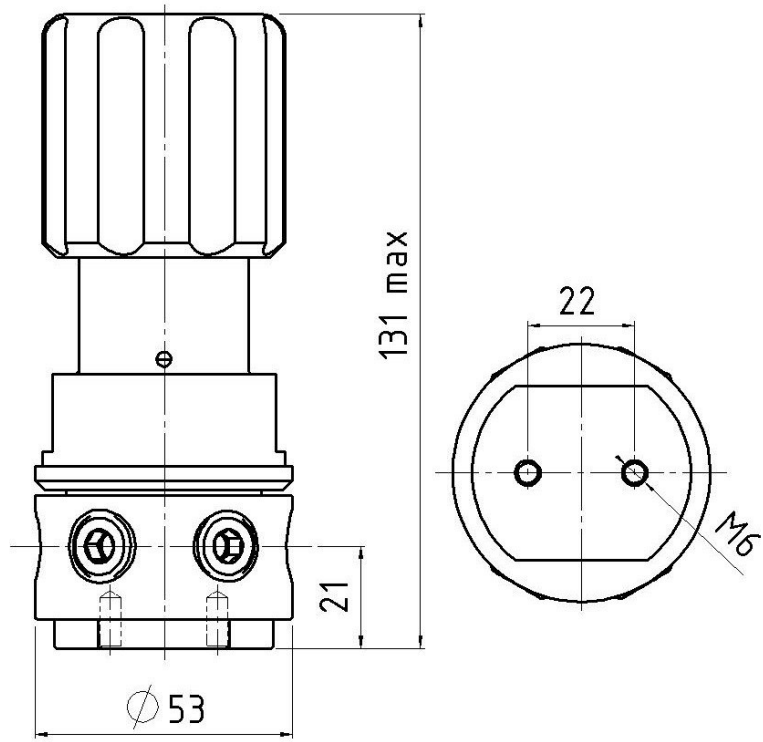
The company Hornung is certified to **DIN EN ISO 9001**

All single parts are manufactured, assembled and tested in house.

The finished parts are therefore under the criteria of our exact quality control with 100% final control.

Ferdinand Hornung GmbH & Co. KG
Rathenaustraße 55, 63263 Neu-Isenburg

Tel: (0 61 02) 78 83 - 70 www.hornung.org
Fax: (0 61 02) 78 83 - 40 info@hornung.org



Application area:

This pressure regulator is used especially for high inlet and outlet pressures. With its small size this pressure regulator is particularly suitable for use as a pilot pressure regulator e.g. in controlled systems in connection with Dome pressure regulators. The high-grade steel construction with Elastomere made of Viton compound permits the use of aggressive media with this pressure regulator. We urgently recommend the connection of a fine filter, with at least 40µ, before the pressure-regulator as well, as to protect following components with suitable relief valves against unduly high pressures.

Accessories:

Gauges, Screw connections and accessories

Order details:

Material:

- 1 = Brass
- 2 = St. steel

Elastomere:

- 1 = NBR
- 2 = Viton

Gauge:

- 1 = Without gauges
- 2 = Outlet gauge
- 3 = In and outlet gauges

Outlet option:

- 00 = NPT 1/4" f
- 03 = Olive joint connection 3mm
- 06 = Olive joint connection 6mm
- 08 = Olive joint connection 8mm
- 10 = Olive joint connection 10mm
- 12 = Olive joint connection 12mm

Order example:

Regulator type	
45	HD400

45	- 1	1	3	06	Medium
----	-----	---	---	----	--------

Type Mat. Elast. Gauge Option Medium