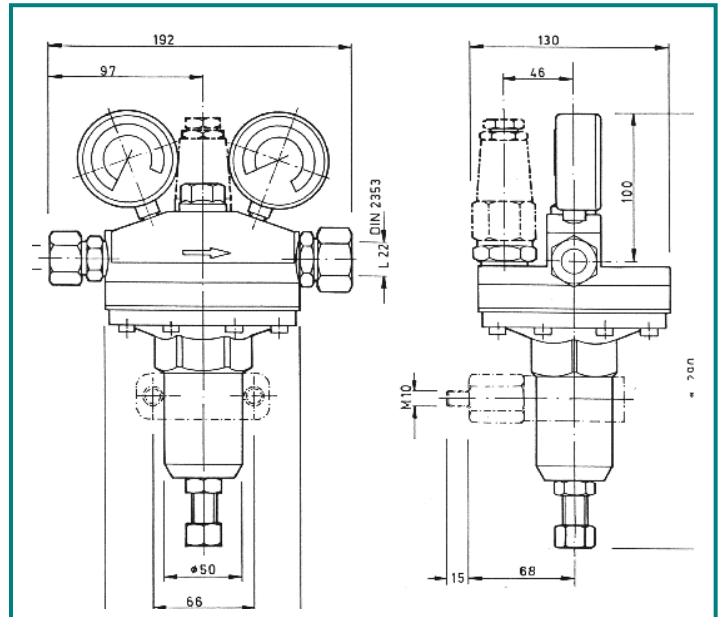
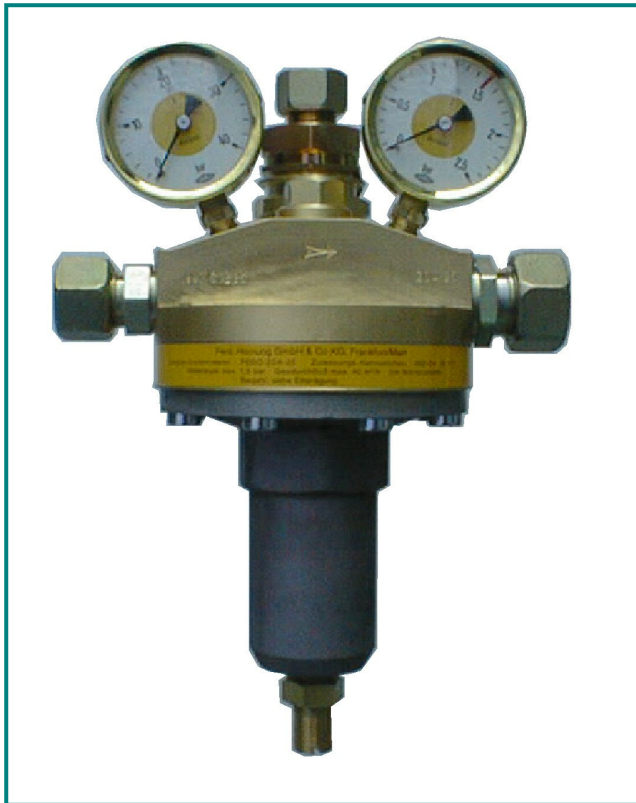
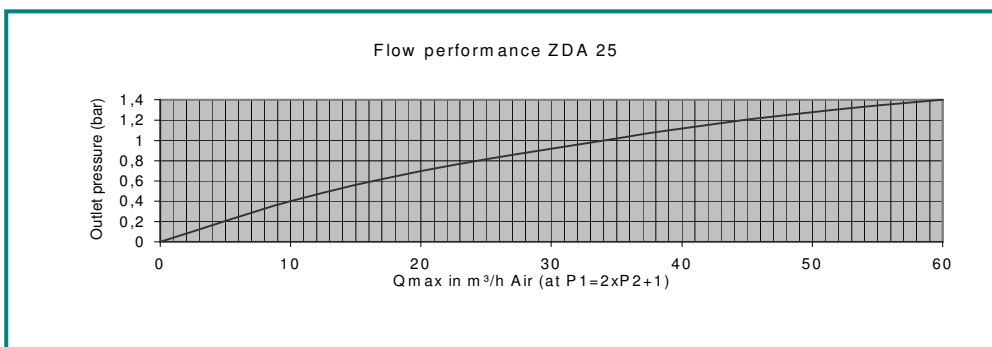


# Central pressure regulator ZDA 25



Model	Gas	Inlet pressure P1	Outlet pressure P2	Flow Q1	Inlet connection	Outlet connection
ZDA 25	Acetylene	max. 25 bar	max. 1,5 bar	See diagram	Clamp screw Ø16	Clamp screw Ø22



The central pressure regulator ZDA 25 reduces a maximum inlet pressure from 25 bar down to 1.5 bar. Suitable for connection to acetylene batteries and 2x3 bundles. The ZDA 25 is a single stage brass regulator with safety valve certified to DIN EN 961.

Certified: Number plate regulator ZDA 25: 06 D – DH 58177  
 Number plate safety valve ASI-35: 06 D – SV 58177