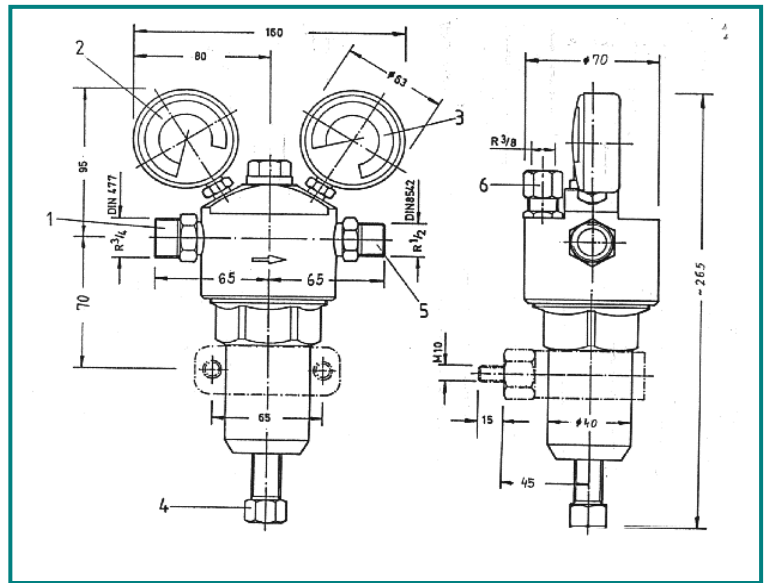
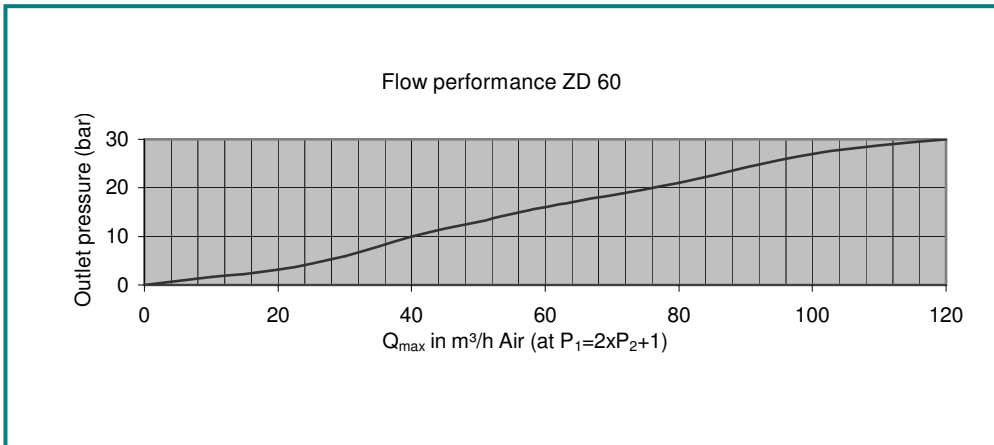


# Central pressure regulator ZD 60



Model	Gas	Inlet pressure P1	Outlet pressure P2	Flow Q1	Inlet connection	Outlet connection
ZD 60	F, NF, NC	max. 300 bar	max. 30 bar	See diagram	W21,8x <sup>1</sup> / <sub>14</sub> " DIN 477	G 1/2 DIN EN 560



The central pressure regulator ZD 60 reduces a maximum inlet pressure from 300 bar down to 30 bar and kept constant. The ZD 60 is supplied in brass for non-corrosive, flammable (except acetylene) and non-flammable gases as well as stainless steel for corrosive gases.

The ZD 60 is a single stage regulator with safety valve and certified to DIN EN 961 (ISO 7291) BAM. The regulator is available in straight or 90° configuration and can also be supplied with a wall bracket.