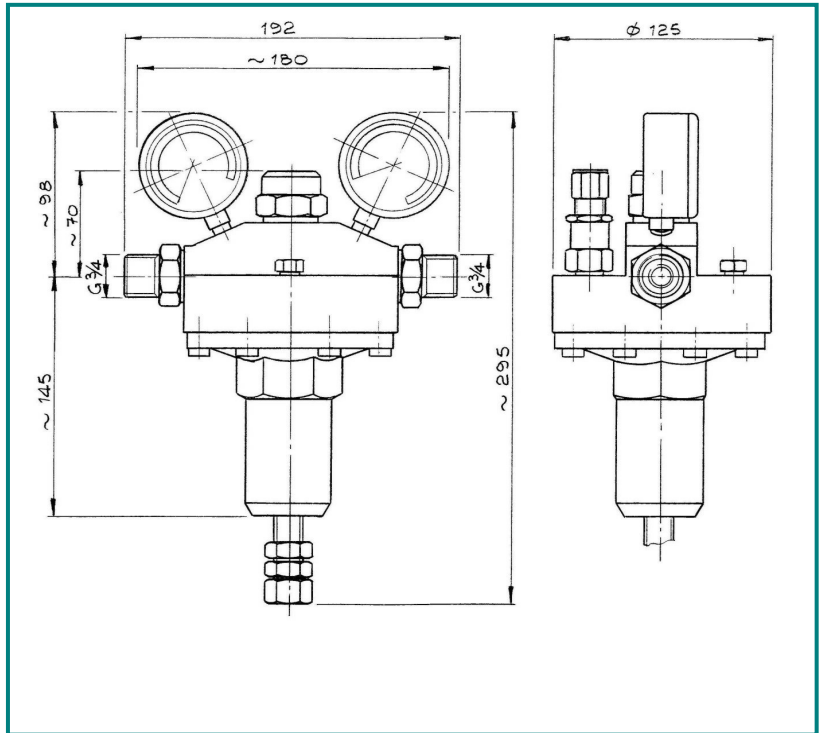
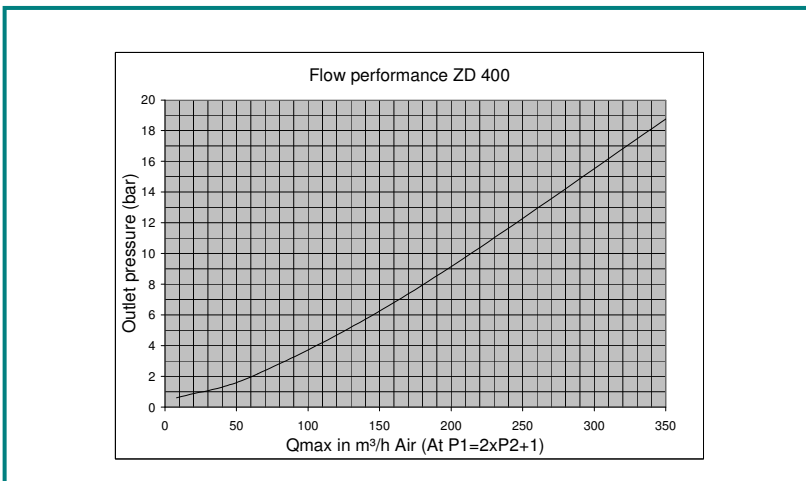


Central pressure regulator ZD 400



Model	Gas	Inlet pressure P1	Outlet pressure P2	Flow Q1	Inlet connection	Outlet connection
ZD 400	NF, F, NC	max. 300 bar	max. 0-20 bar	350 m ³ /h	G ³ / ₄	G1



The pressure regulator ZD 400 reduces the max. inlet pressure of 300 bar down to a max. outlet pressure of 20 bar.

BAM certified for Oxygen.