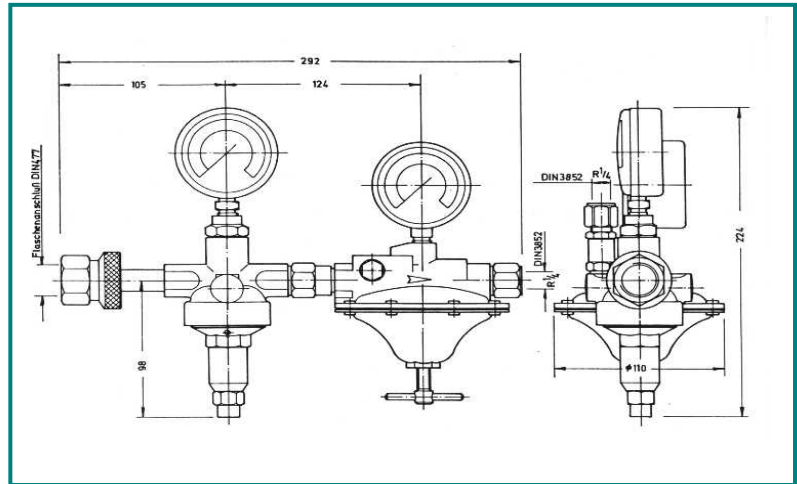
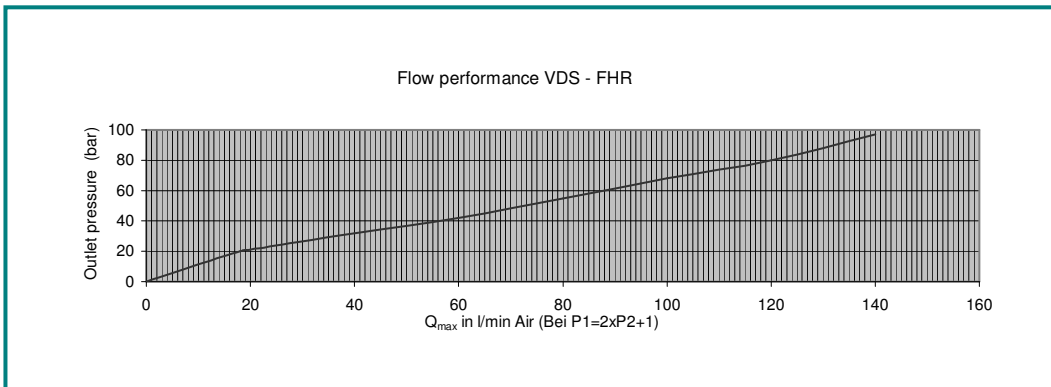


Cylinder pressure regulator VDS - FHR



Model	Gas	Inlet pressure P1	Outlet pressure P2	Flow Q1	Inlet connection	Outlet connection
VDS - FHR	F, NF, NC	max. 200 bar	max. 1,5 / 0,7 bar	See diagram	Cylinder DIN 477	G1/4 DIN 3852



The pressure regulator VDS-PDR is used in the area of laboratory, research and process. The VDS-PDR is a two stage regulator with cantilever system and a large diaphragm in the second stage which gives an exact regulation of the gas flow.