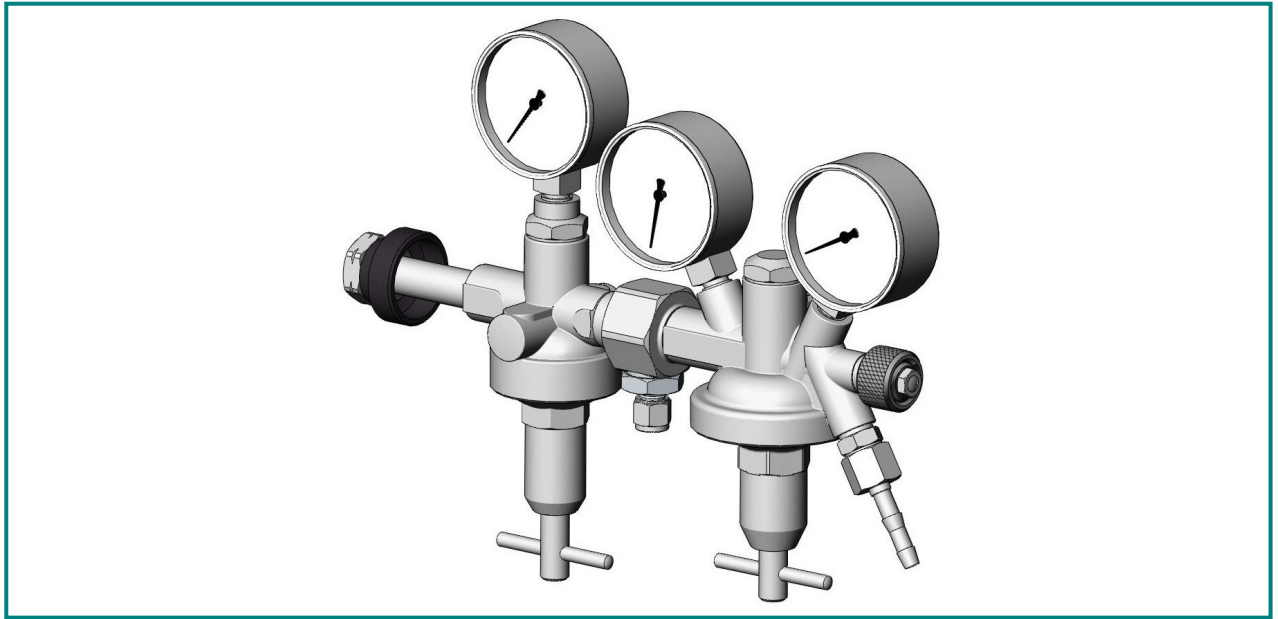


Cylinder pressure regulator TPR 30-10



Description:

Cylinder pressure regulator in Brass reduces the pressure of compressed gases as well as liquid gases with two separate adjustable outlets.

Application area:

Everywhere (for reasons of cost and space) that different outlet pressures are simultaneously extracted from one cylinder.

The pressure regulator can be supplied with an optional hand nut connection and in nickel plated Brass.

Technical details:

Housing: Brass -
Brass, Nickel plated

Max. inlet pressure: 200 / 300 bar

Regulating area: Pz: 1-16 / 1-30 bar

P2: 0-1,5 / 1-10 / 1-16 bar

Operating temp.: -20°C bis +70°C

Gauges: Safety versions
to EN 837-1 KL1,6

Size (WxHxD): 300 x 240 x 70

Connections:

Inlet: DIN 477/CEN

Outlet: Pz: G3/8 RH

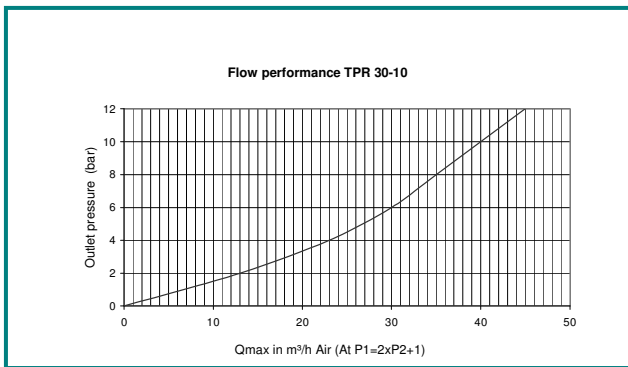
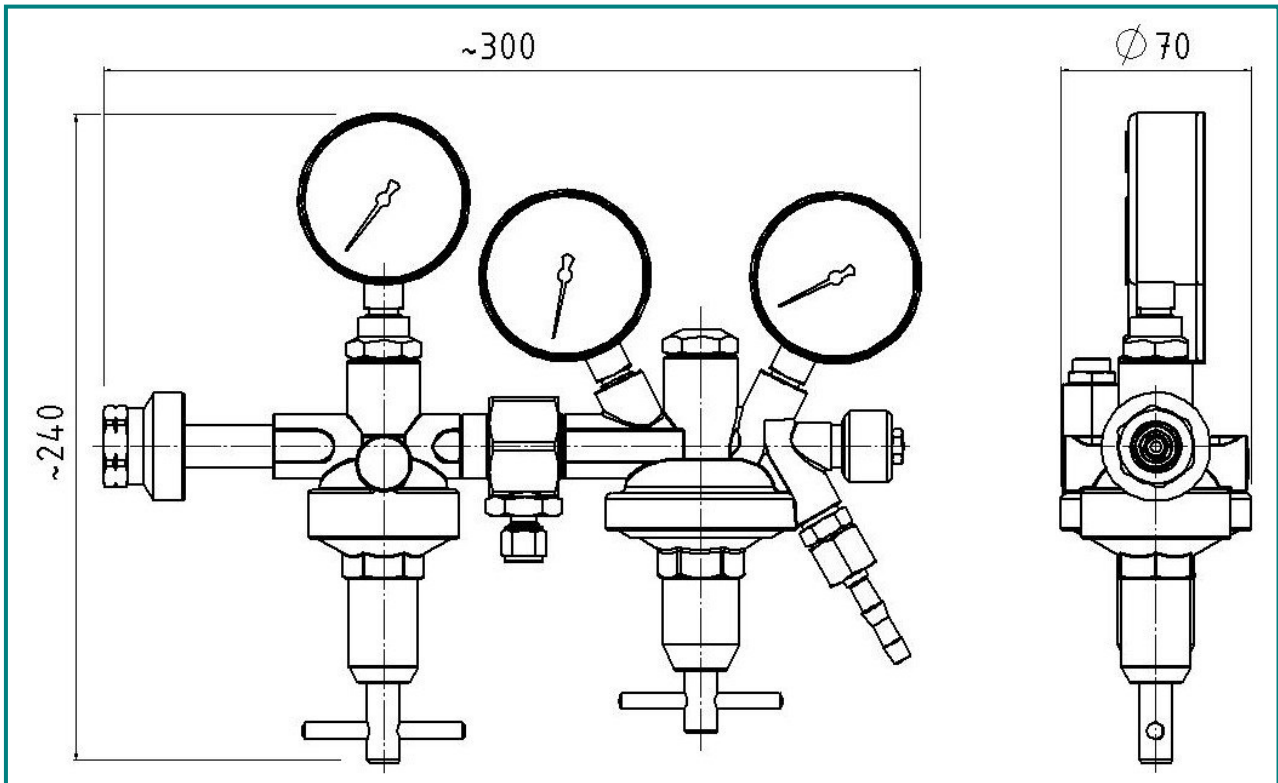
P2: G1/4 RH G3/8 LH

Hornung Quality standard

The company Hornung is certified to
DIN EN ISO 9001

All single parts are manufactured, assembled
and tested in house.

The finished parts are therefore under the
criteria of our exact quality control with 100%
final control.



Accessories:

See total catalogue segment

Gauges, Screw connections, hose connectors, quick couplings and accessories.

Order details:

Housing: 1 = Messing
2 = Messing nickel plated

Inlet: 1 = 200 bar
2 = 300 bar

Intermediate: 1 = 1 - 10 bar
2 = 1 - 16 bar
3 = 1 - 30bar

Outlet: 1 = 0,1 - 1,5 bar
2 = 1 - 6 bar
3 = 1 - 10 bar
4 = 1 - 16 bar

Order example:

Regulator type	
39	TPR 30-10

39-	2	1	2	2	Gas
Type	Housing	inlet	Inter.	Outlet	Gas