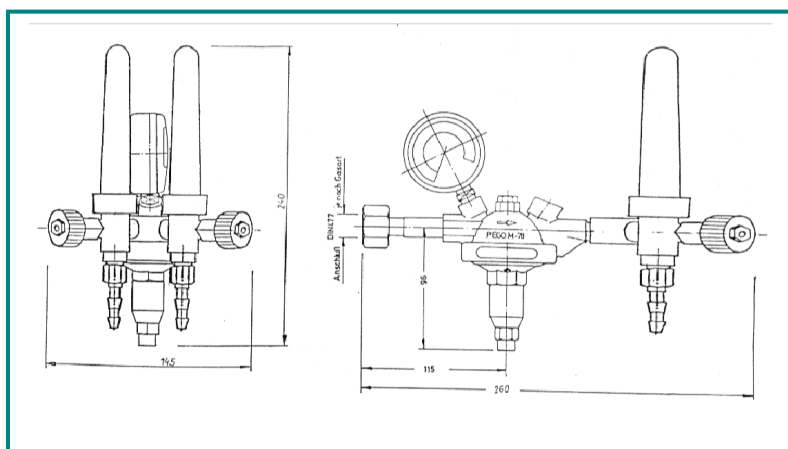


Cylinder pressure regulator M 78 / Flow



Model	Gas	Inlet pressure P1	Outlet pressure Q1	Inlet connection	Outlet connection
M 78 / FLOW	F, NF, NC	max. 300 bar	1-16 l/min 3-30 l/min	Cylinder DIN 477/CEN	G ^{1/4} RH, G ^{3/8} LH DIN EN 560 Gas dependant

N ₂	CO ₂ Ar	Formiergas
1-16 l/min 3-30 l/min	1-16 l/min 3-30 l/min	1-16 l/min 2-30 l/min

The cylinder regulator M 59 reduces the pressure of compressed gases as well as liquid gases from max.300, to the corresponding flowmeter pressure.

On the flowmeter the required gas flow in l/min can be adjusted and set.

This station can be delivered with one, two or three outlets.

The regulator can be supplied nickel or chrome plated for other gases, metal diaphragm and hand connection.