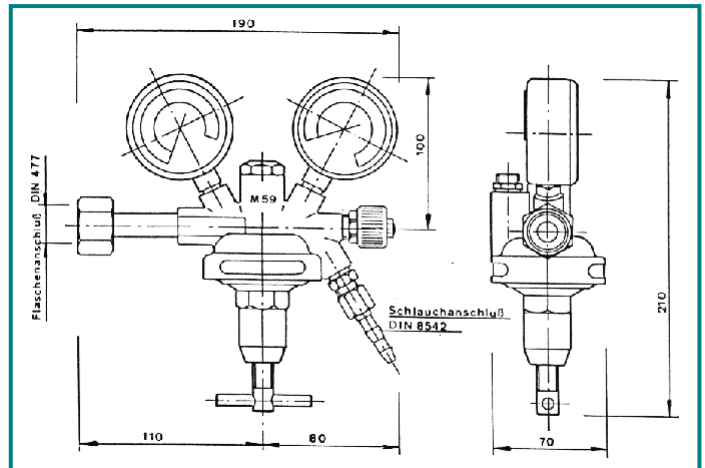
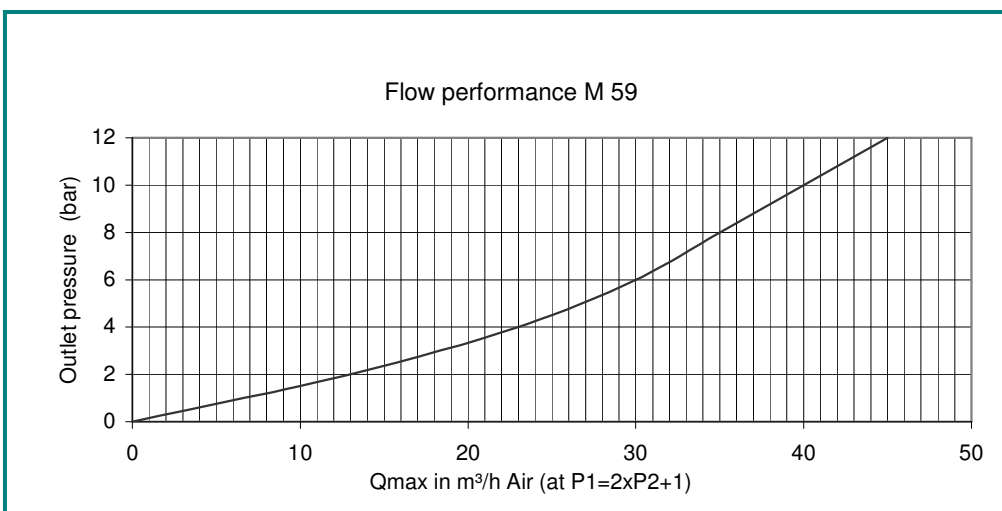


Cylinder pressure regulator M59



Model	Gas	Inlet pressure P1	Outlet pressure P2	Flow Q1	Inlet connection	Outlet connection
M 59	F, NF, NC	max. 300 bar	max. 16 bar	See diagram	cylinder DIN 477/CEN	Gas dependant DIN EN 560 G1/4 RH G3/8 LH



The cylinder regulator M 59 reduces the pressure of compressed gases as well as liquid gases from max.300 bar down to a max. pressure of 16 bar

The M 59 is a brass single stage regulator with relief valve for Oxygen and Acetylene and with technical approval.

The regulator can be supplied nickel or chrome plated for other gases, metal diaphragm and hand connection.