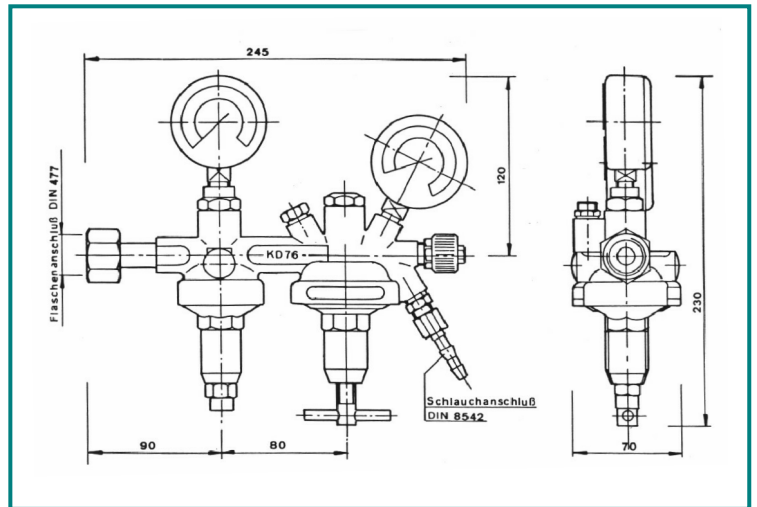
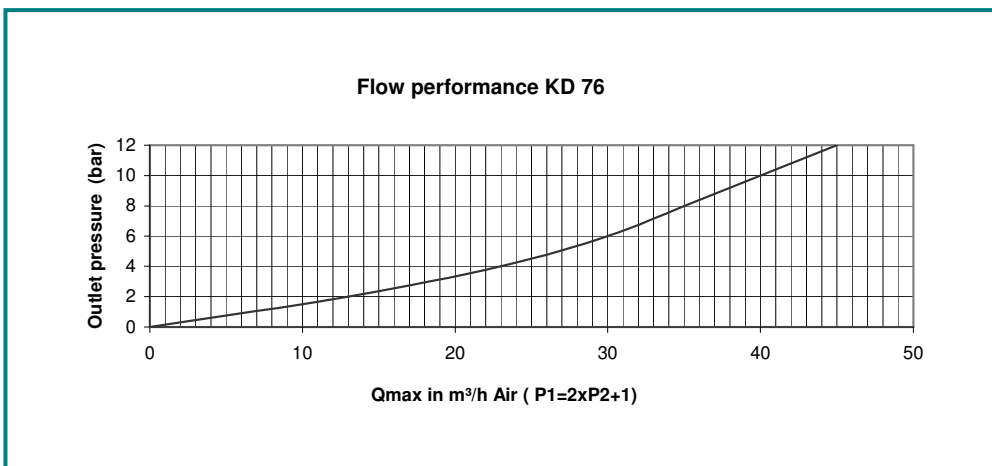


# Cylinder pressure regulator KD 76



Model	Gas	Inlet pressure P1	Outlet pressure P2	Flow Q1	Inlet connection	Outlet connection
KD 76	F, NF, NC (not Acetylene)	max. 300 bar	max. 16 bar	See diagram	Cylinder DIN 477/CEN	Gas dependant DIN EN 560 G1/4 RH G3/8 LH



The cylinder regulator KD 76 reduces the pressure of compressed gases as well as liquid gases. The KD 76 finds use where a uniform outlet pressure is guaranteed without constant readjustment.

The KD 76 is a two stage brass regulator with relief valve and shut-off valve on the second stage according to ISO 3503.

Also available nickel or chrome plated with metal diaphragm and hand nut connection.