

Precision cylinder pressure regulator HP-FR1

- dual stage, in stainless steel or brass/aluminium for mbar applications and low flow



Description:

The precision HP-FR1 is a compact dual stage cylinder pressure regulator made of stainless steel or brass/aluminium for operating pressures from a few mbar up to 7 bar.

The dual stage construction with integrated balanced main valve guarantees absolutely stable working pressures even if inlet pressure fluctuate significantly.

Application area:

:

- Instrumentation
- mbar applications
- Gasanalysis
- Gaschromatography
- Process engineering
- Metallurgy
- Science and Research.
- Lamb production

Technical details:

Bodies:	stainless steel or Brass/Aluminium
Seat:	PCTFE / Viton/NBR
Gaskets:	Viton / NBR
Diaphragm:	stainless steel/ Viton / NBR
Max pressure inlet:	200 bar
Outlet pressure range:	50mbar – 7 bar
Operating temp.:	-20 up to +70 °C
Dimensions (wxhxd)	124 x 94 x 145
Weight:	850g
Connections:	thread inlet: DIN 477-1 (others on request)
	thread outlet: NPT 1/8" f

Hornung Quality standard

The company Hornung is certified to **DIN EN ISO 9001**

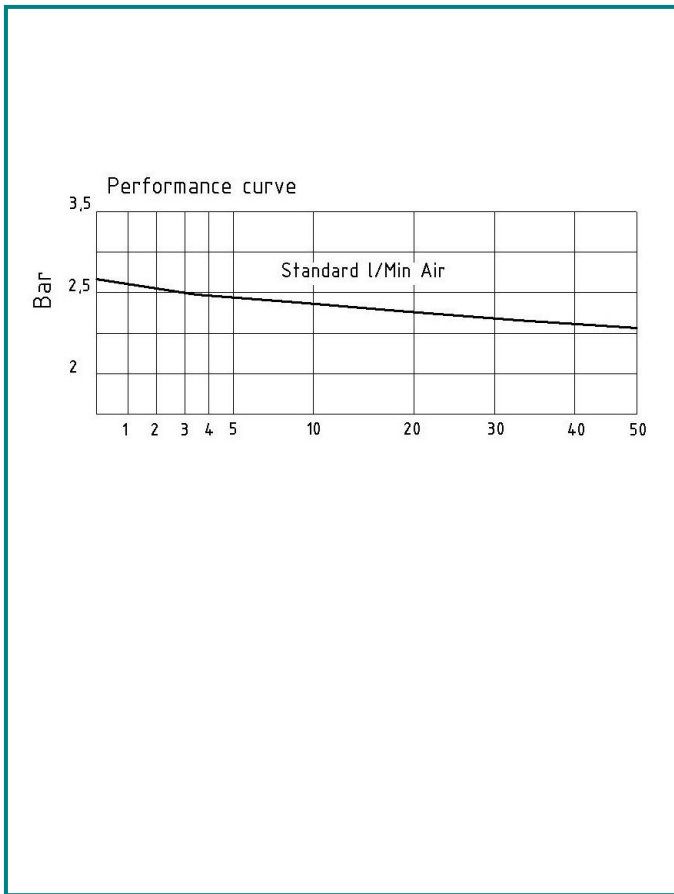
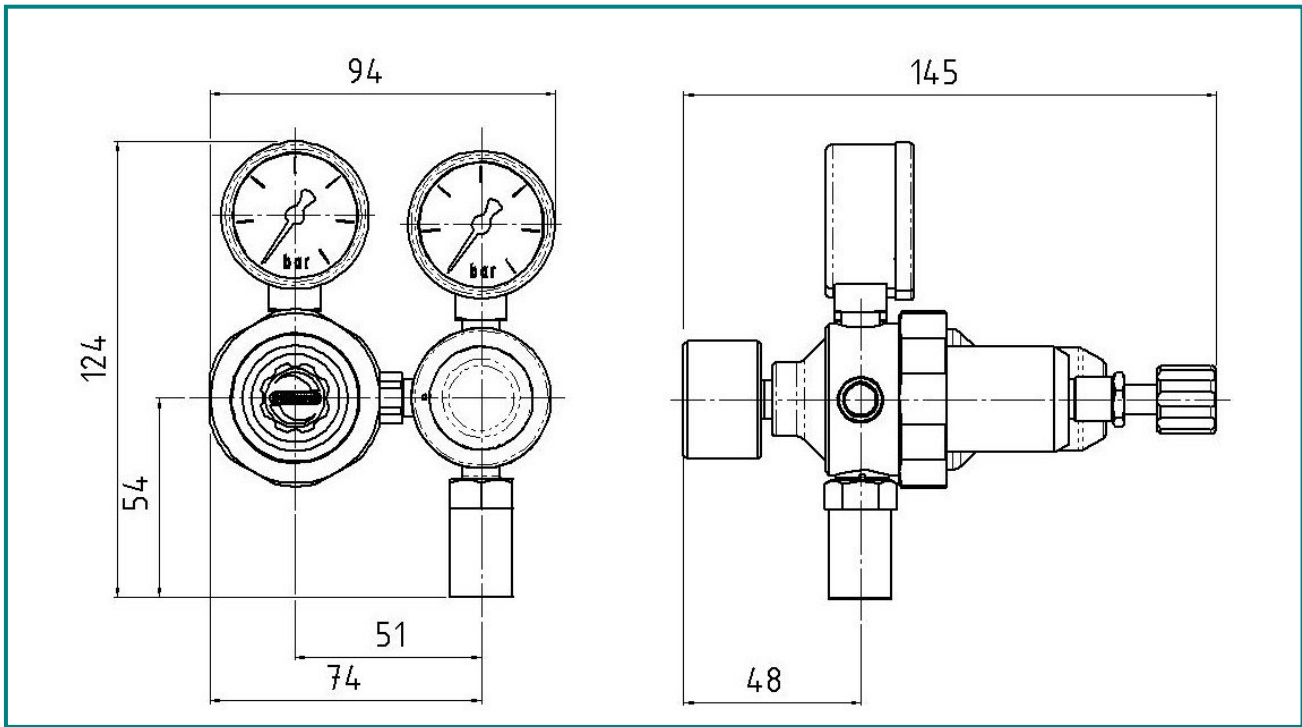
All single parts are manufactured, assembled and tested by in-house production.

The finished parts are therefore under all criteria of German quality control with 100% final inspection.

Ferdinand Hornung GmbH & Co. KG
Rathenaustraße 55, 63263 Neu-Isenburg

Tel: (0 61 02) 78 83 - 70
Fax: (0 61 02) 78 83 - 40

www.hornung.org
info@hornung.org



Ordering information:

Body: 1 = brass/aluminium
2 = stainless steel

Diaphragm: 1 = NBR
2 = Viton
3 = stainless steel (1.4435)
4 = Hastelloy (2.4610)

Gaskets: 1 = NBR
2 = Viton

Outlet pressure ranges:

- 1 = up to 170 mbar
- 2 = up to 350 mbar
- 3 = up to 500 mbar
- 4 = up to 700 mbar
- 5 = up to 2,1 bar
- 6 = up to 4,2 bar
- 7 = up to 7,0 bar

Ordering example:

Regulator type	
27	HP - FR 1

27-	2	3	2	4	Gas
-----	---	---	---	---	-----

Type Body Diaphragm Gaskets P2 type of gas

Accessories:

See total catalogue segment

- 5. Diaphragm shut-off and metering valves
- 6. Gauges, screws, compression fittings, cylinder holders and accessories