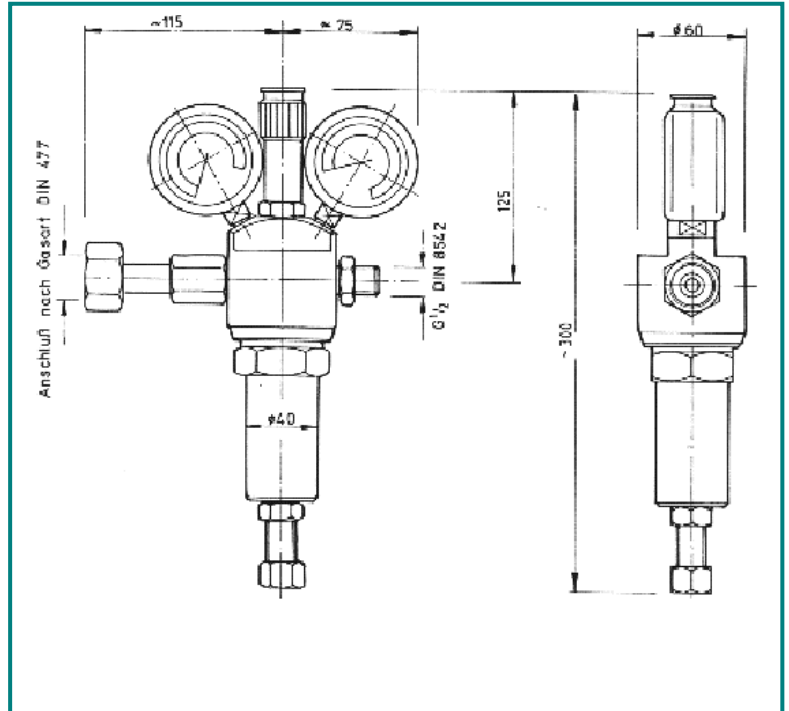
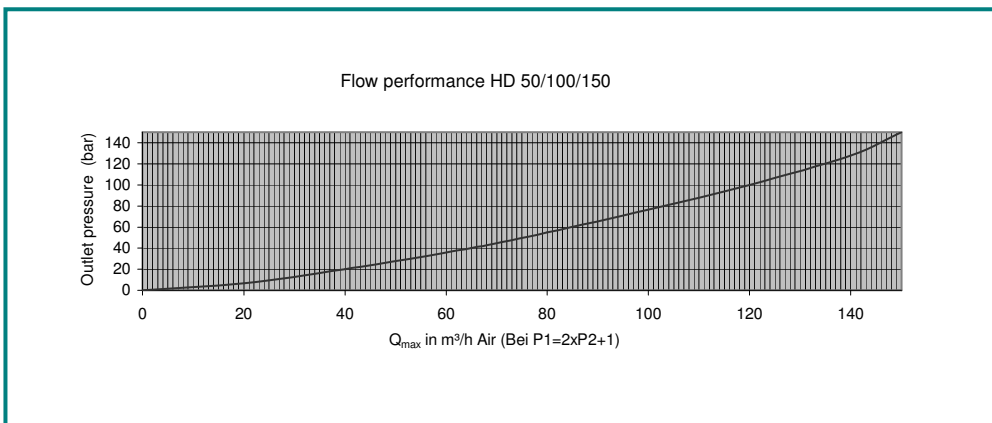


# Cylinder pressure regulators HD 50/100/150



Model	Gas	Inlet pressure P1	Outlet pressure P2	Flow Q1	Inlet connection	Outlet connection
HD 50/100/150	NF, F, NC	max. 300 bar	max. 150 bar	150 m <sup>3</sup> /h Air	cylinder DIN 477/CEN	Screw Ø16



High pressure regulators are described as regulators that reduce pressure from collective containers (bottles, batteries and bundles) to a relative high intermediate pressure. This high pressure depends on the volume and pressure required by the next user station.

A mounting bracket can also be supplied.