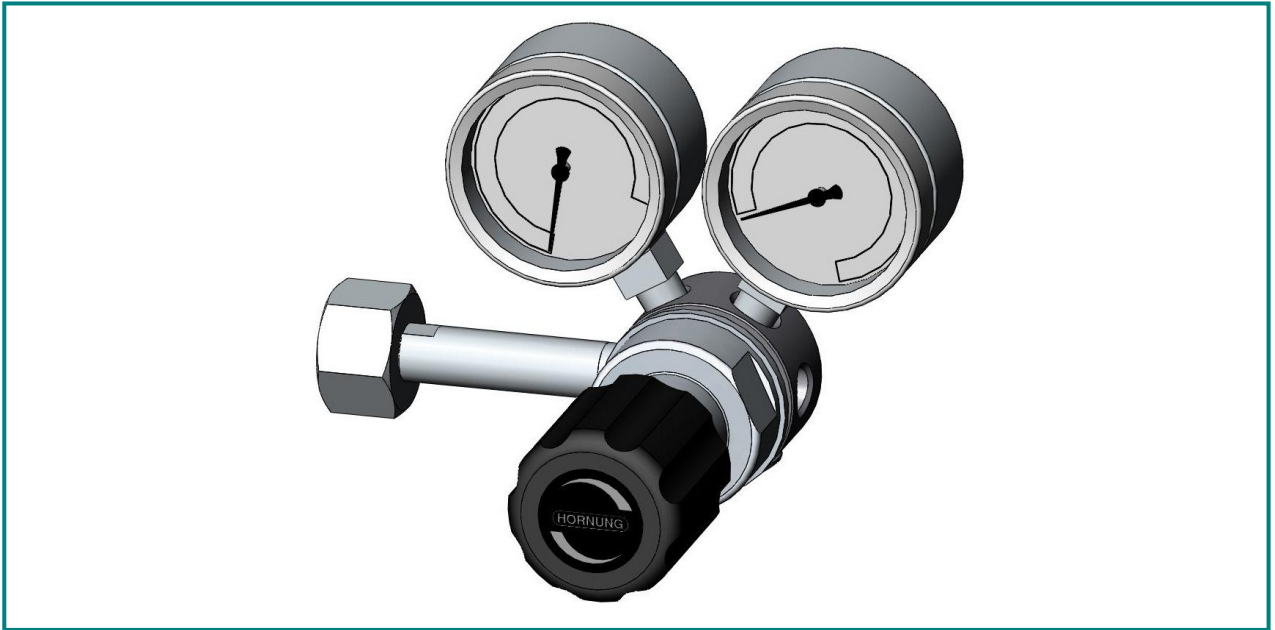


Cylinder pressure regulator HD400 FL



Description:

The Cylinder pressure regulator HD400 FL is a single-stage pressure-regulator made of high-grade steel 1.4404 or matt Chrome plated brass.

The HD400 FL is designed as a piston pressure-regulator and reduces the pressure of compressed gases to a maximum outlet pressure of 400 bar.

It works according to the principle of the force equilibrium between the adjusted spring action and the outlet pressure.

The pressure regulator is fitted as standard with gas specific connections.

Design:

This pressure regulator is designed for use with high inlet and outlet pressures.

Technical details:

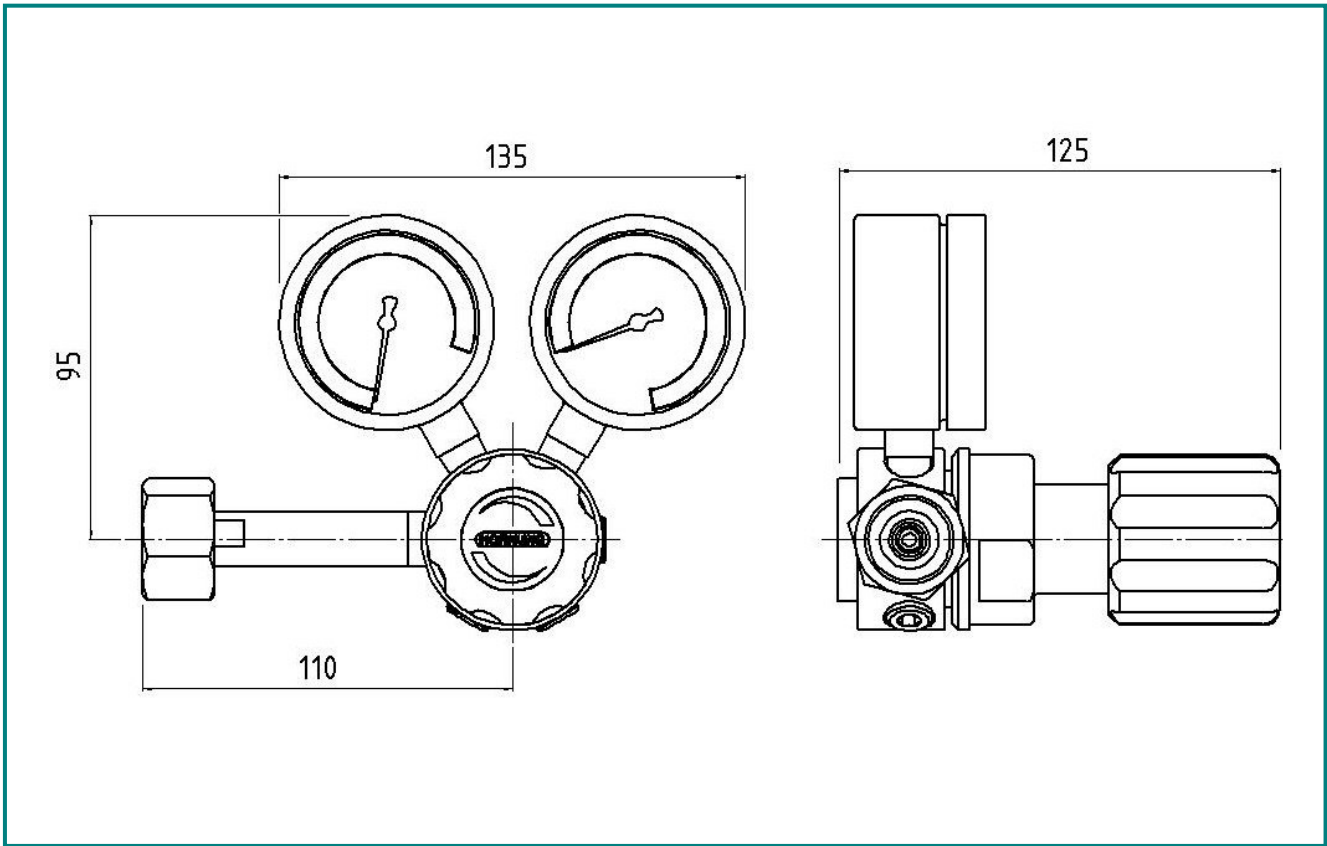
Material:	Brass Matt Chrome plated or St-steel.
Seat:	PCTFE
Elastomere:	Viton / NBR
Max. inlet pressure:	440 bar
Regulating area:	10 – 400 bar
Operating temp.:	-20°C bis +70°C
Size:	180x95x125
Weight:	1350g
Connections: (Depending on gas type)	CEN / HEVOS 300 bar NPT 1/4" f

Hornung Quality standard

The company Hornung is certified to
DIN EN ISO 9001

All single parts are manufactured, assembled
and tested in house.

The finished parts are therefore under the
criteria of our exact quality control with 100%
final control.



Application area:

The high-grade steel construction with Elastomere made of Viton compound permits the use of aggressive media with this pressure regulator.

Order details:

Material:

- 1 = Brass
- 2 = St. steel

Elastomere:

- 1 = NBR
- 2 = Viton

Order example:

Regulator type	
50	HD400 FL

50	- 1	1	Gas
Type	Material	Elastomere	Gas

Accessories:

See total catalogue segment

Gauges, Screw connections and accessories
 Fine filter and safety valve available on request.