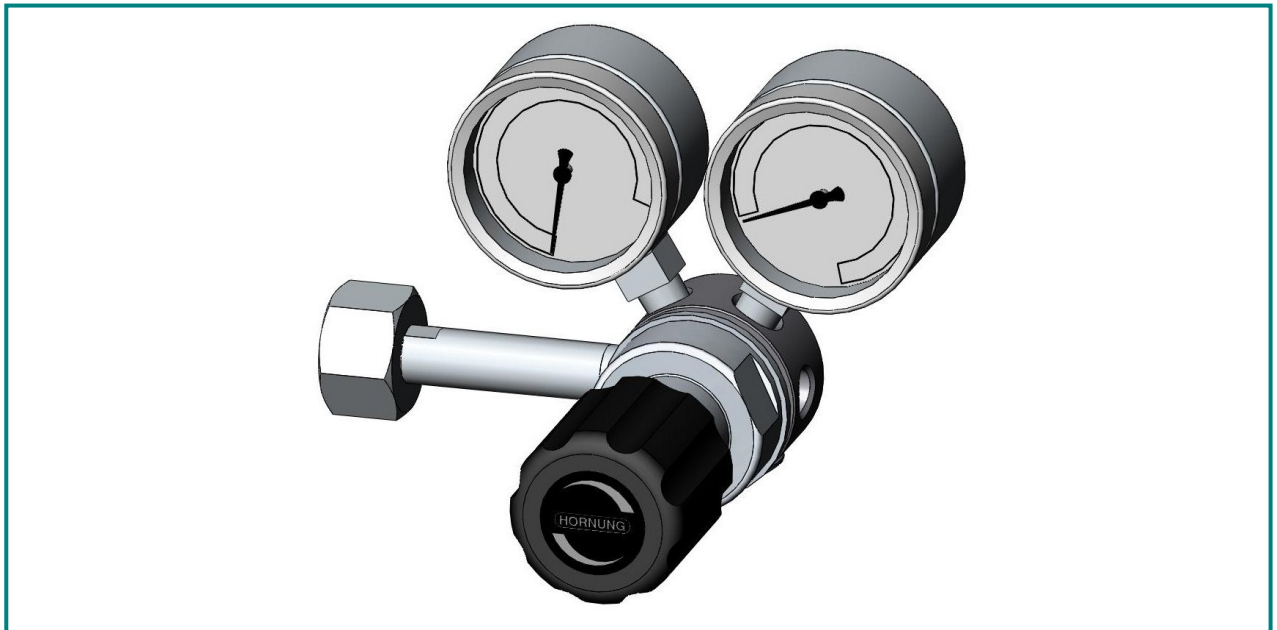


Cylinder pressure regulator HD250 FL



Description:

The Cylinder pressure regulator HD250 FL is a single-stage pressure-regulator made of high-grade steel 1.4404 or matt Chrome plated brass.

The HD250 FL is designed as a piston pressure-regulator and reduces the pressure of compressed gases to a maximum outlet pressure of 250 bar.

It works according to the principle of the force equilibrium between the adjusted spring action and the outlet pressure.

The pressure regulator is fitted as standard with gas specific connections.

Design:

This pressure regulator is designed for use with high inlet and outlet pressures.

Technical details:

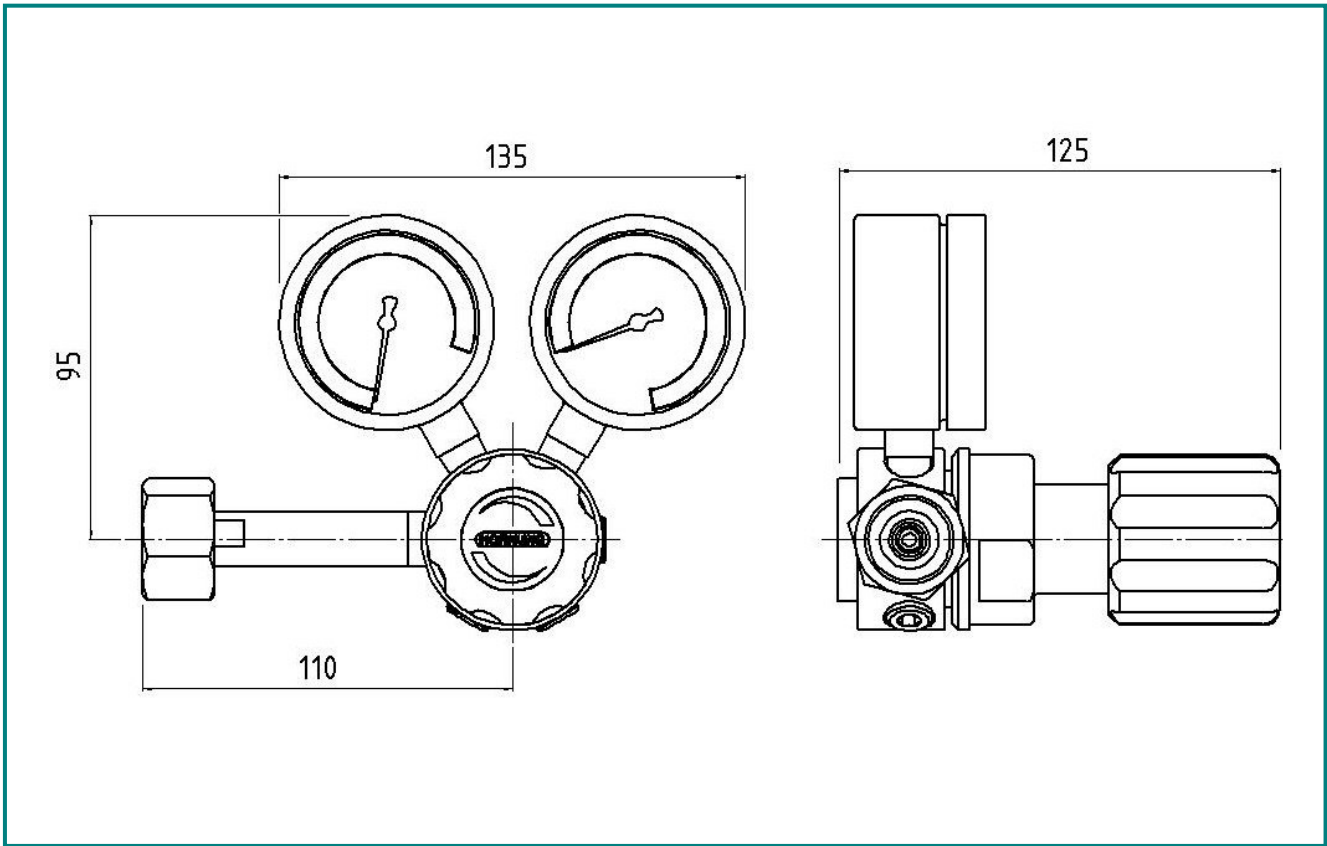
Material:	Brass Matt Chrome plated or St-steel.
Seat:	PCTFE
Elastomere:	Viton / NBR
Max. inlet pressure:	440 bar
Operating area:	5 - 250 bar 1 - 100 bar 1 - 50 bar
Operating temp.:	-20°C bis +70°C
Size:	180 x 95 x 125
Weight:	1350g
Connections:	NPT 1/4" f

Hornung Quality standard

The company Hornung is certified to
DIN EN ISO 9001

All single parts are manufactured, assembled and tested in house.

The finished parts are therefore under the criteria of our exact quality control with 100% final control.



Application area:

The high-grade steel construction with Elastomere made of Viton compound permits the use of aggressive media with this pressure regulator.

Order details:

Material:

- 1 = Brass
- 2 = St. steel

Elastomere:

- 1 = NBR
- 2 = Viton

Inlet pressure:

- 1 = 200 bar
- 2 = 300 bar

Outlet pressure:

- 1 = 5 – 250 bar
- 2 = 1 – 100 bar
- 3 = 1 – 50 bar

Order example:

Regulator type	
34	HD250 FL

34	- 1	1	2	1	Gasart
-----------	------------	----------	----------	----------	---------------

Typ Mat. Elast. Inlet Outlet Gasart

Accessories:

See total catalogue segment

Gauges, Screw connections and accessories
 Fine filter and safety valve available on request.