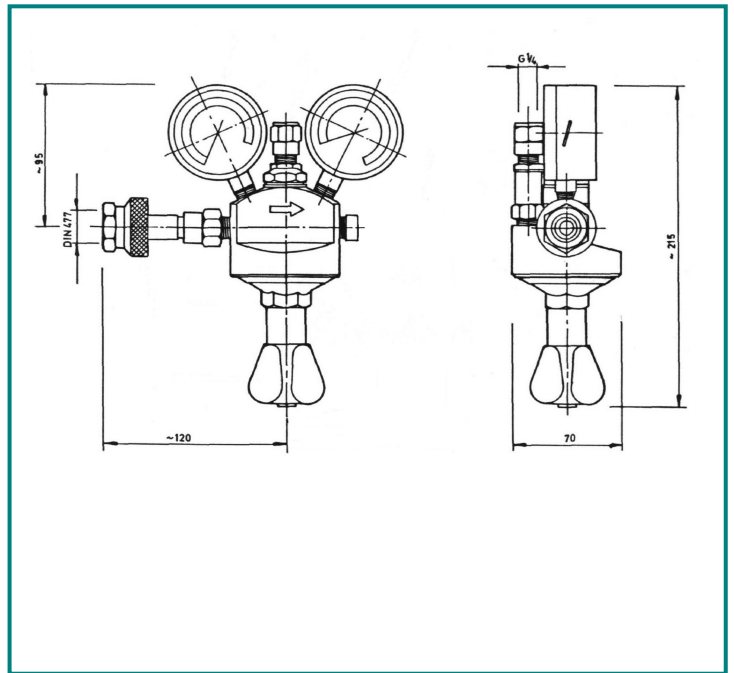
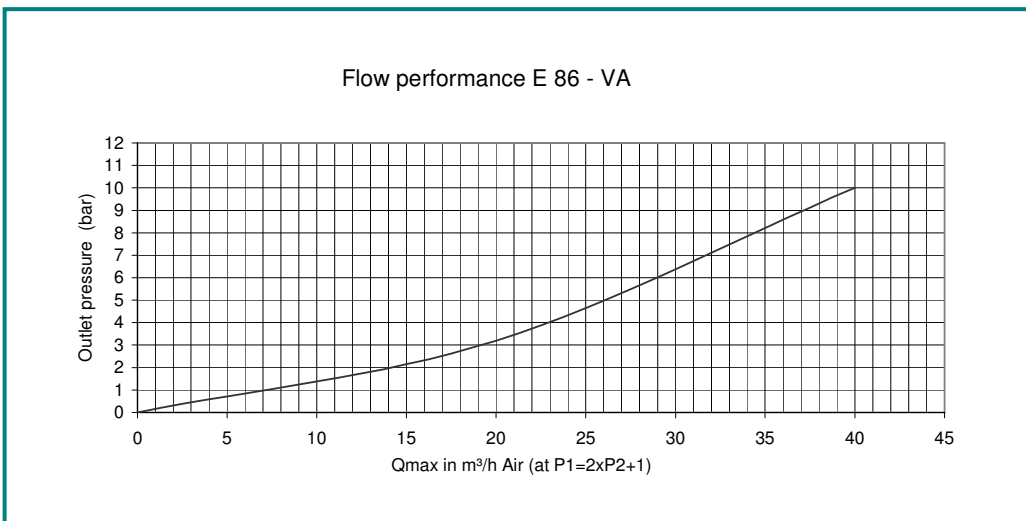


# Cylinder pressure regulator E 86 - VA



Model	Gas	Inlet pressure P1	Outlet pressure P2	Flow rate Q1	Inlet connection	Outlet connection
E 86 - VA	F, NF, NC, C, T (not Acetylene)	max. 300 bar	max. 16 bar	max. 76 m <sup>3</sup> /h Air	Cylinder DIN 477	Clamp screw Ø6



The regulator E 86 - VA is manufactured in stainless steel 1.4305 for the use in aggressive medium. The gasket and diaphragm material are resistant to the corresponding gas type.

The E 86-VA is a single stage regulator with relief valve. The regulator can also be supplied with shut-off valve, hand screw connection and Metal diaphragm.