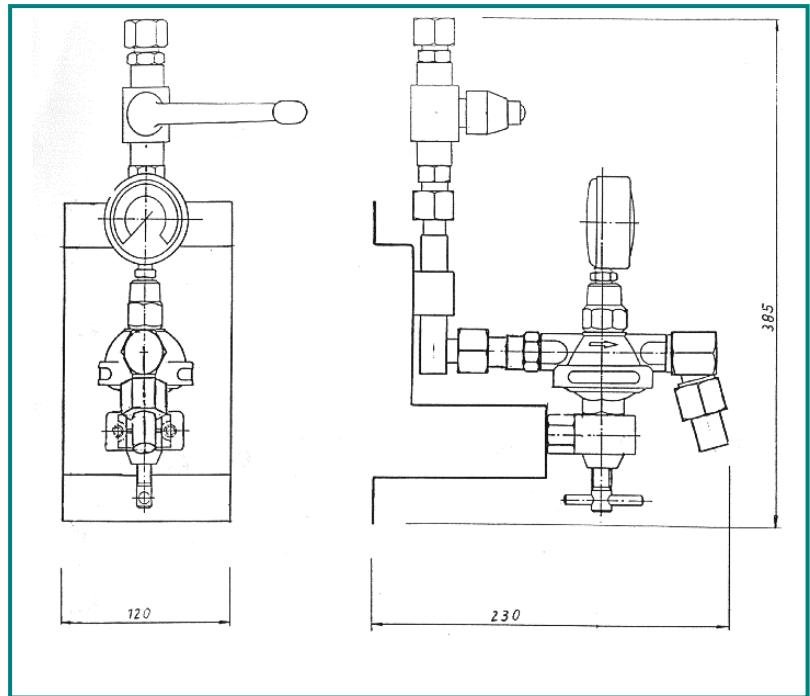
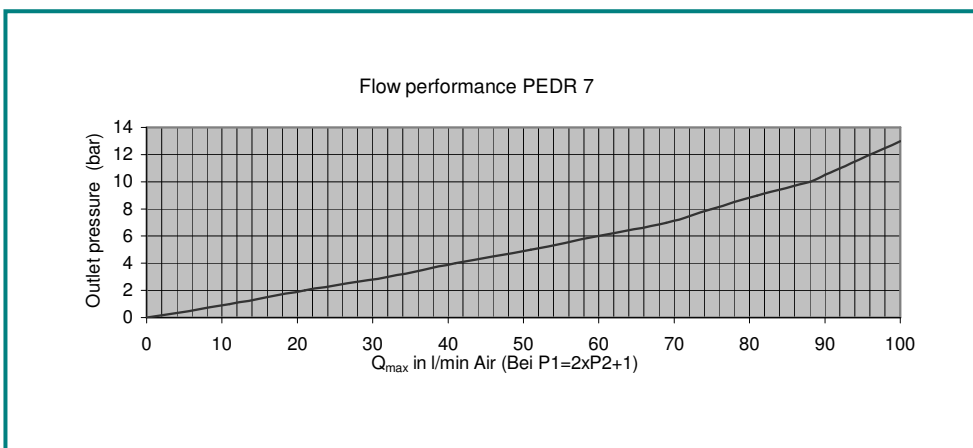


Supply station PEDR 7



Model	Gas	Inlet pressure P1	Outlet pressure P2	Flow Q1	Inlet connection	Outlet connection
PEDR 7 ST	F, NF,NC	max. 35 bar	max. 30 bar	max. 70 m ³ /h	Clamp screw Ø16	G½ DIN EN 560



Gas supply stations that are fed over a ring and junction system. For large flow volumes from flame cutting, plasma and laser cutting applications.

The PEDR 7 consists of one regulator in brass a ball valve and wall console.