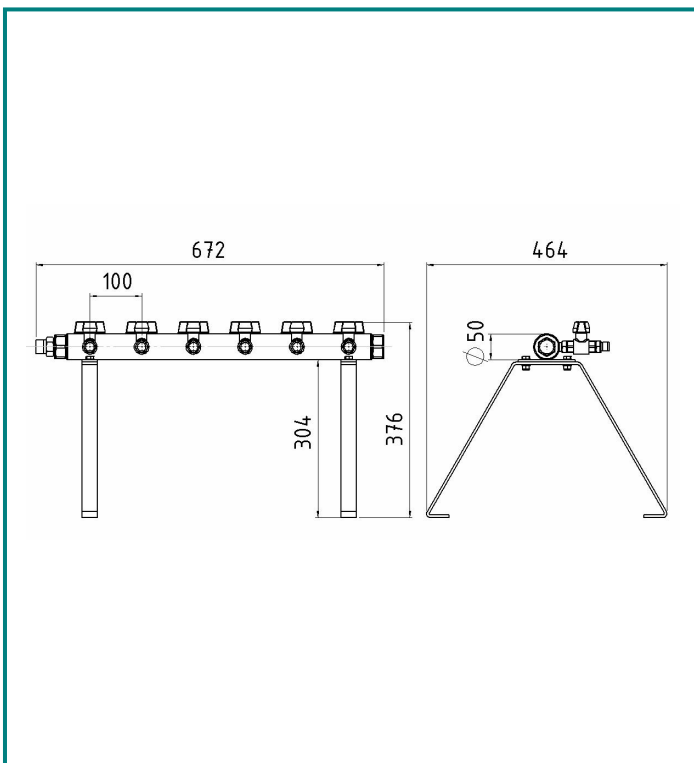


Gas manifold, portable



Hornung Quality standard

The company Hornung is certified to
DIN EN ISO 9001

All single parts are manufactured, assembled and tested in house.

The finished parts are therefore under the criteria of our exact quality control with 100% final control.

Description

The gas manifold portable serves the purpose of providing gas for up to 6 extraction points

The portable design enables use on different locations e.g. construction sites.

This manifold is laid out for use with an inlet pressure of max. 20 bar.

Depending on the application, there is the possibility to install a point of use pressure regulator or flowmeter.

The gas manifold can be supplied for different gases:

- Non-nflammable gases
- Flammable gases
- Acetylene
- Oxygen

Ferdinand Hornung GmbH & Co. KG
Rathenaustraße 55, 63263 Neu-Isenburg

Tel: (0 61 02) 78 83 - 70 www.hornung.org
Fax: (0 61 02) 78 83 - 40 info@hornung.org

Technical details:

Material: Edelstahl und Messing

Seals: VITON

Max. Inlet pressure: 20 bar

Operating temp.: -20°C to +60°C

Size: 672 x 464 x 376 mm

Weight: 11kg

Connections:

Inlet:

Acetylene + flammable Gases: G 3/4 DIN 8542

Non-flammable Gases + O2: G 1/2 DIN 8542

Outlet:

Acetylene + flammable Gases: G 3/8 DIN 8542

Non-flammable Gases + O2: G 3/8 DIN 8542

Order details:**Gas:**

01 = Oxygen (O₂)

02 = Acetylene (C₂H₂)

03 = Non-flammable gases

04 = Flammable gases

Order example:

Type	
62-	Gas manifold, portable

62-	01
------------	-----------

Type Gas

Accessories:

- **ZD 150 Station portable**
- **ZDA 25 Station portable**
- **Low pressure hose for the station**
- **High pressure hose for cylinder bundles**