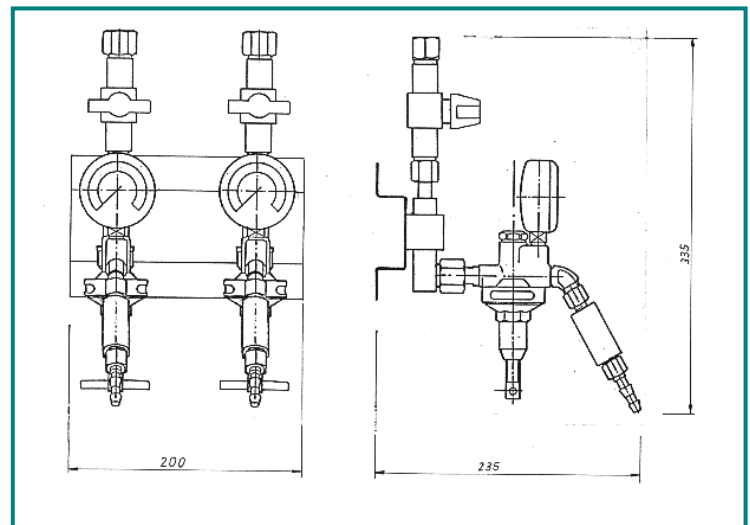


Supply station EDR



Model	Gas	Inlet pressure P1	Outlet pressure P2	Flow Q1	Inlet connection	Outlet connection
EDR ST	NF, F, NC	max. 25 bar 1,5 bar Acetylene	max. 10 bar 1,5 bar Acetylene	max. 30/1m ³ /h	Clamp screw Ø12	G1/4, G3/8 LH DIN EN 560

Gas supply stations that are fed over a ring and junction system. Our supply station EDR consists of a gas supply station regulator, ball valve, check valve and wall console. This station can be delivered with one, two or three regulators.