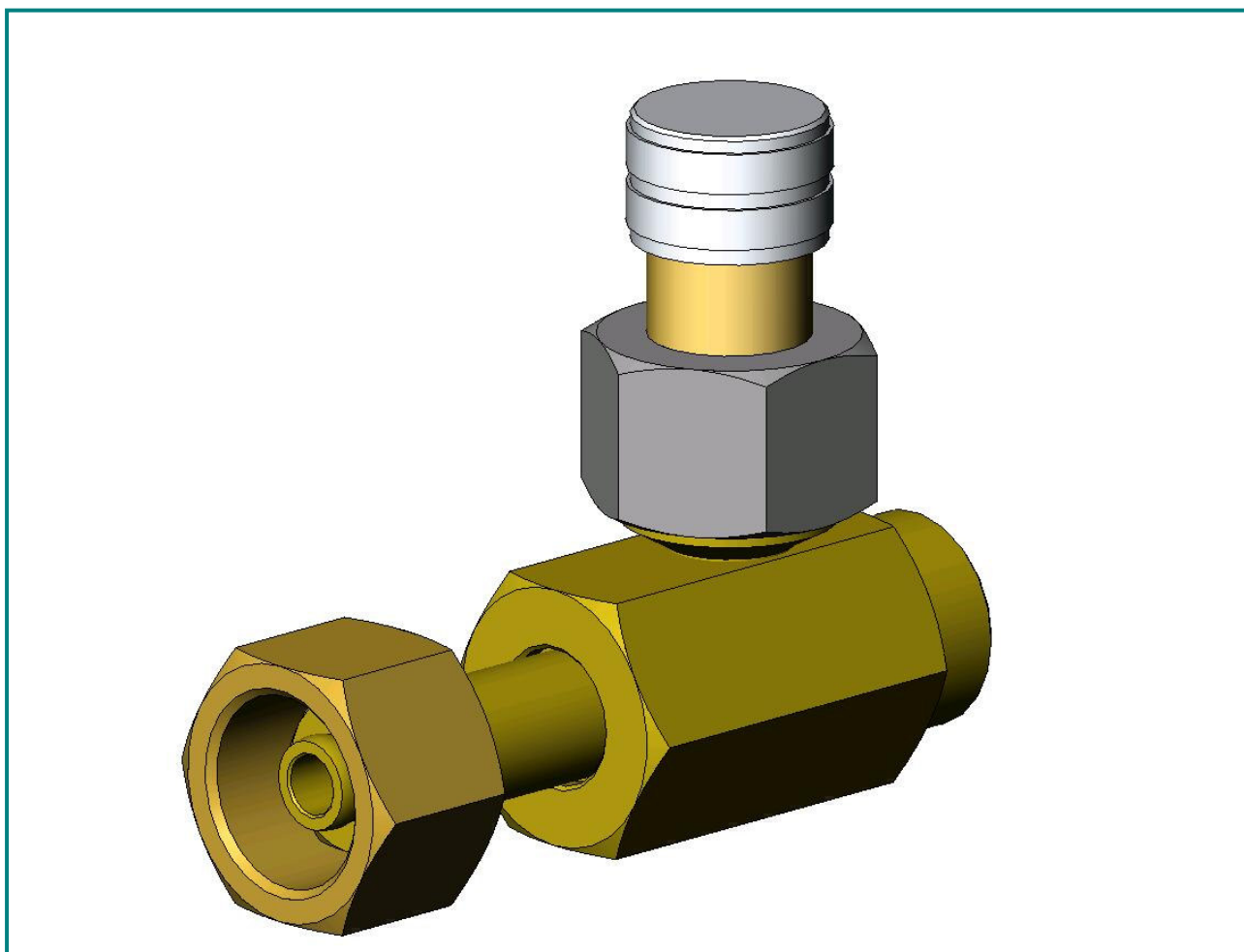


T-joint with pressure relief valve



The t-joint is used in connection with a shut-off valve for pressure relief in cylinder-bundles and battery manifolds

Order No.	Gas
620120	Oxygen
620120	Nitrogen
620120	Pure gas
620120	Hydrogen
620120	Compressed air
620120	Argon / CO2

Other sizes and combinations on request !

Technical details:

Material: Brass
 Gas: see table
 Connection: 3/4" – flat

Hornung Quality standard

The company Hornung is certified to **DIN EN ISO 9001**
 All single parts are manufactured, assembled and tested in house.
 The finished parts are therefore under the criteria of our exact quality control with 100% final control.

Ferdinand Hornung GmbH & Co. KG
 Rathenaustraße 55, 63263 Neu-Isenburg

Tel: (0 61 02) 78 83 - 70
 Fax: (0 61 02) 78 83 - 40

www.hornung.org
 info@hornung.org