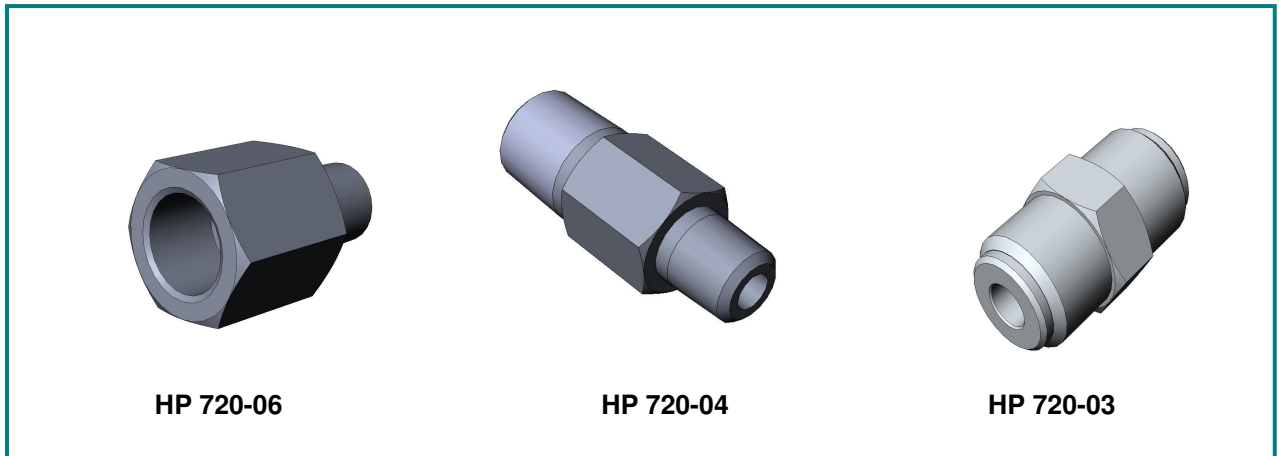


Adapter – Nipple HP720



Adapter nipples allow the connection of our products in the HP series with your equipment or fittings.

In our selection assortment you'll find the connecting adapter with the most popular connecting threads.

Order No.	Type	Connection 1	Connection 2
HP720-01	Adapter - Nipple	NPT 1/8" m	NPT 1/8" m
HP720-02	Adapter - Nipple	NPT 1/4" m	NPT 1/4" m
HP720-03	Adapter - Nipple	G 1/4" m	G 1/4" m
HP720-04	Adapter - Nipple	NPT 1/8" m	NPT 1/4" m
HP720-05	Adapter - Nipple	NPT 1/4" m	G 1/4" m
HP720-06	Adapter - Nipple	NPT 1/8" m	NPT 1/4 f

Other sizes and combinations on request !

Technical details:

Material: St.steel 1.4404

Operating temp.: -195°C to +200°C

Hornung Quality standard

The company Hornung is certified to

DIN EN ISO 9001

All single parts are manufactured, assembled and tested in house.

The finished parts are therefore under the criteria of our exact quality control with 100% final control.

Ferdinand Hornung GmbH & Co. KG
Rathenaustraße 55, 63263 Neu-Isenburg

Tel: (0 61 02) 78 83 - 70
Fax: (0 61 02) 78 83 - 40

www.hornung.org
info @ hornung .org