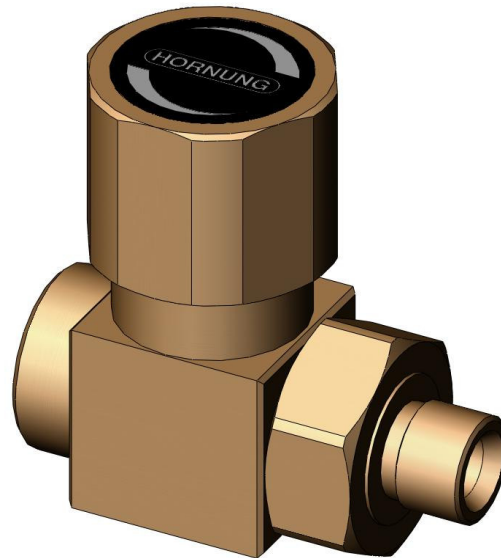


Fine filter F2



Description:

The high pressure filter F1 is a Stainless steel 1.4404 or brass manufactured fine filter with a replaceable filter element made of sintered Bronze or high-grade steel. The built-in Filter element holds back solid particles to 20 and/or 40 Micron and permits only cleansed gases or liquids to flow to the following equipment.

Design:

The in and outlet this fine filter is equipped with a standard internal thread G3/8". In order to constantly have the maximum flow capacity available, it is advisable to periodically examine the filter element and replace when necessary.

Application area:

We urgently recommend the use of this filter element in connection with our pressure-regulators, where the accuracy and life span of pressure-regulators can be substantially increased with a clean medium. Further application areas exist in high pressure pneumatics for the protection of sensitive measuring equipment and controllers.

Technical details:

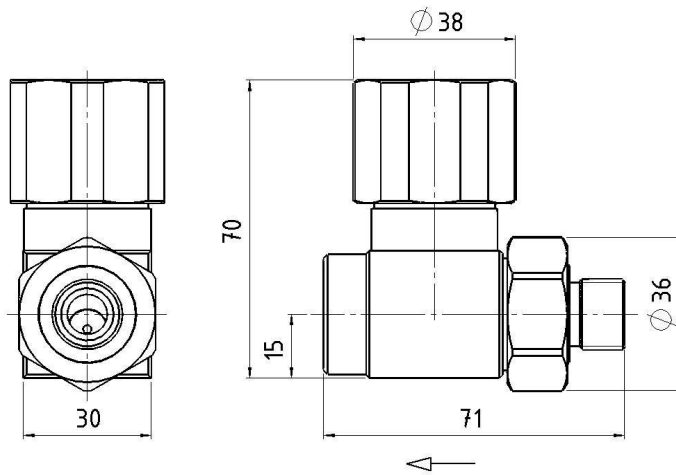
| | |
|------------------|---|
| Material: | Brass / St. steel |
| Gaskets: | Viton |
| max. pressure: | 420 bar |
| Pore size: | 20 or 40 μ (Bronze) 20 or 35 μ (St. steel) |
| Operating temp.: | -20 $^{\circ}$ C to +70 $^{\circ}$ C |
| Size: | 38 x 70 x 71 |
| Weight: | 640 g |
| Connections: | Inlet G 3/8" m Outlet G 3/8" f |

Horning Quality standard

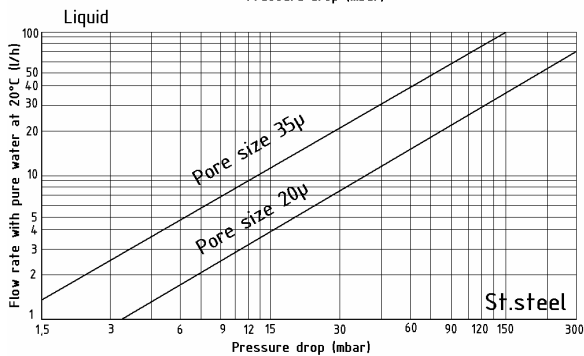
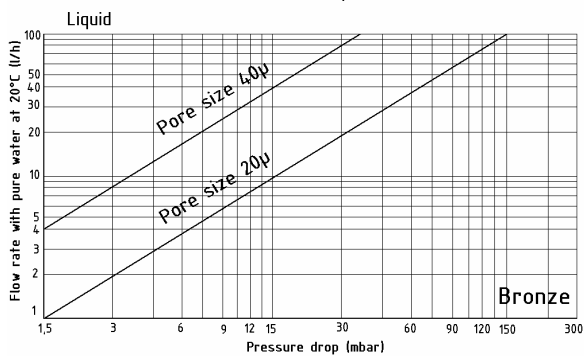
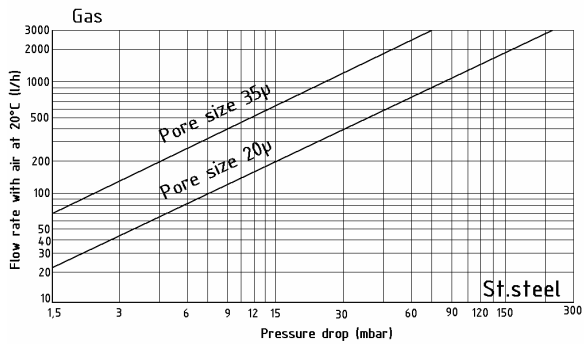
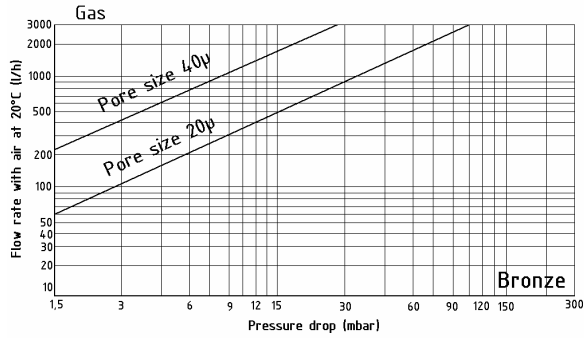
The company Horning is certified to **DIN EN ISO 9001**

All single parts are manufactured, assembled and tested in house.

The finished parts are therefore under the criteria of our exact quality control with 100% final control.



Medium porosity



Order details:

Material:

- 1 = Brass
- 2 = Stainless steel

Filter element

- 1 = Bronze 20µ
- 2 = Bronze 40µ
- 3 = Stainless steel 20µ
- 4 = Stainless steel 35µ

Order example:

| | |
|-----------|----|
| Filtertyp | |
| 32 | F1 |

| | | | |
|----|-----|---|--------|
| 32 | - 1 | 1 | Medium |
|----|-----|---|--------|

Type Material Filter element Medium

Accessories:

Filter elements, O-rings