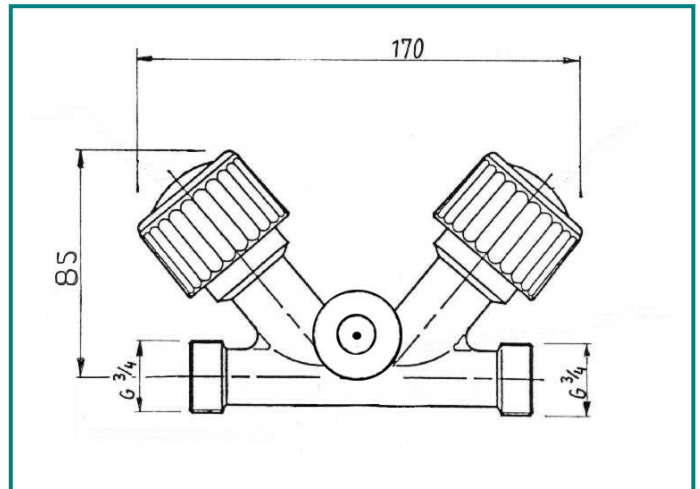


## Double shut-off valve DV 5



Model	Gas	Inlet pressure P <sub>1</sub>	Inlet connection	Outlet connection
DV 5	F, NF, NC	max. 200 bar	2 x G <sup>3</sup> / <sub>4</sub> DIN 477	W 21, 8 x 1/14 DIN 477
DV 5	F, NF, NC	max. 300 bar	2 x S10 DIN 2353	W 30 x 2 (HEVOS) 0170

With the double shut-off valve the gas supply can be manually changed from empty to full bottles without interrupting the gas supply. Suitable for non-aggressive, flammable and non-flammable gases.

Made in brass. A bracket can be supplied for wall mounting.